

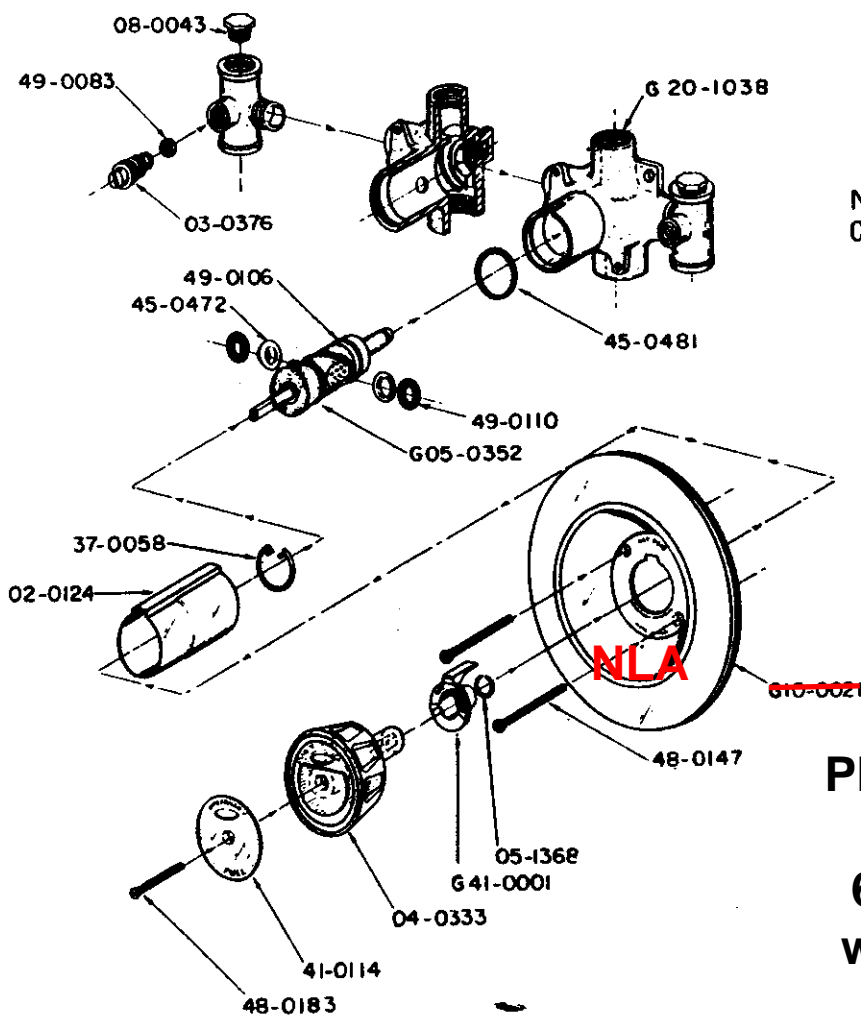
# COLORTEMP SINGLE CONTROL SHOWER VALVE WITH ADD-ON STOPS



## S-8590

Part or Group No.	Description	Replacement (Part or Group)	Part or Group No.	Description	Replacement (Part or Group)
02-0124	Collar		49-0110	"O" Ring	S-8500
03-0376	Spindle		G05-0352	Complete Cartridge	S-8505
04-0333	Handle		G10-0021	Wall Plate and Gasket Assembly Consisting of 10-0222 Wall Plate & 45-0474 Gasket	S-8510 S-8515
05-1368	Clip		G20-1038	Body & Stop Assembly Consisting of G20-0985 Centerbody & Stop Bodies	S-8520 S-8525
08-0043	1/2" I.P. Plug			03-0376 Spindles, 08-0043 Plugs & 49-0083 "O" Rings	S-8530 S-8535
37-0058	Clip				S-8540
41-0114	Index				S-8545
45-0472	Seal				S-8550
45-0481	Washer				S-8555
48-0147	Wall Plate Screws				
48-0183	Acrylic Handle Screw				
49-0083	"O" Ring				
49-0106	"O" Ring				

● IMPORTANT – WHEN ORDERING USE REPLACEMENT PART OR GROUP NUMBER



Note: 1/2" I.P.S. Plug 08-0045 Not Shown

**Plumbing Parts  
Depot  
610-495-8790  
www.ppd1.biz**