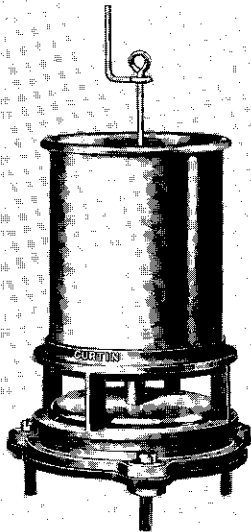
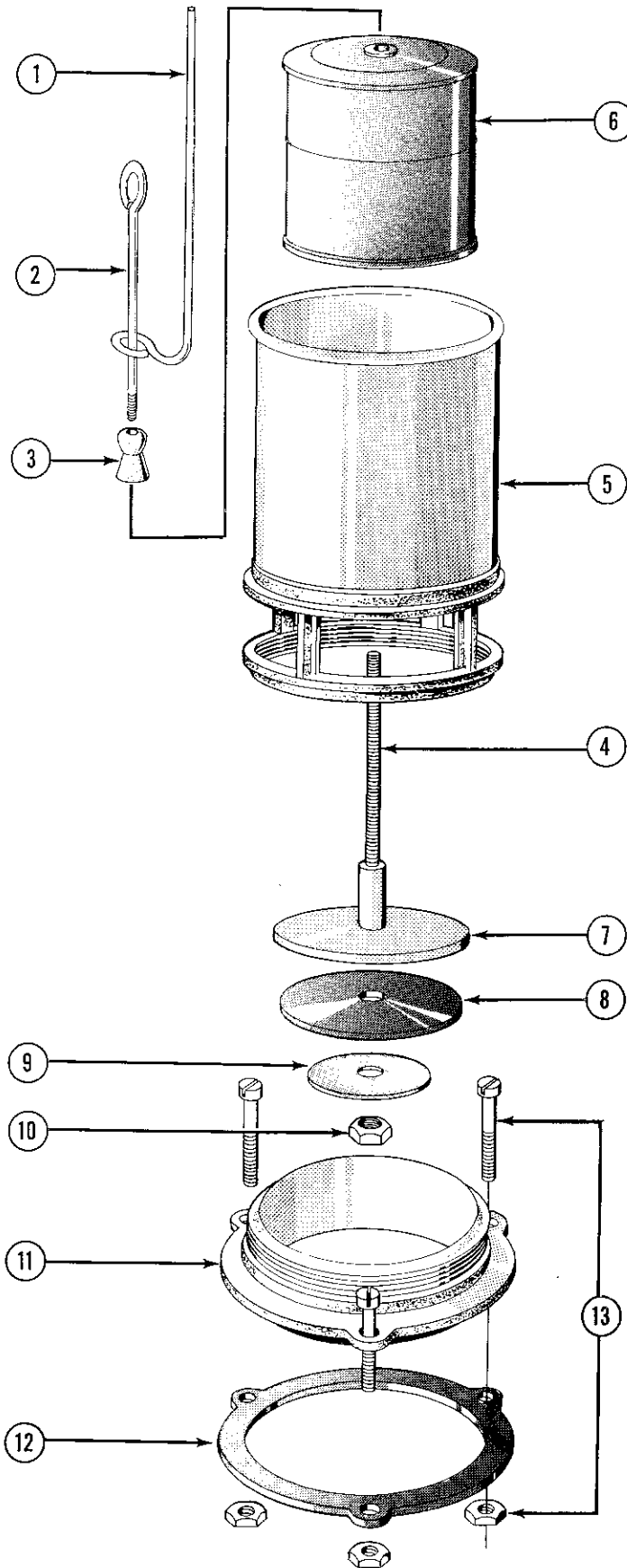


**CLOSET TANK FITTINGS  
F-7308 FLUSH VALVE**

FURNISHED IN G-200, G-205 ONE PIECE CLOSETS



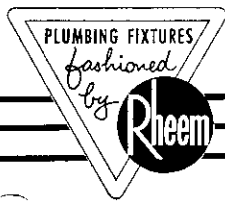
Plumbing Parts Depot  
800-448-8977  
www.ppd1.biz



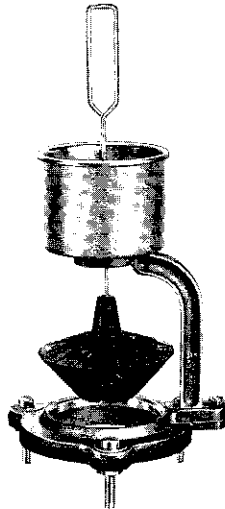
ITEM	PART No.	DESCRIPTION	REQ.
1	BF-149	Upper Lift Rod	1
2	BF-150	Lower Lift Rod	1
3	BF-157	Coupling Nut	1
4	BF-151	Float Rod	1
5	BF-159	Cylinder and Cage	1
6	BF-158	Float	1
7	BF-161	Plunger	1
8	BF-152	Seat Washer	1
9	BF-153	Check Washer	1
10	BF-154	Plunger Nut	1
11	BF-155	Flanged Base	1
12	BF-156	Rubber Gasket	1
13	BF-162	Brass Bolt and Nut	1

USE CVA #50  
OR #4

**NOTE—ORDER BY PART NUMBER, NOT ITEM NUMBER.**



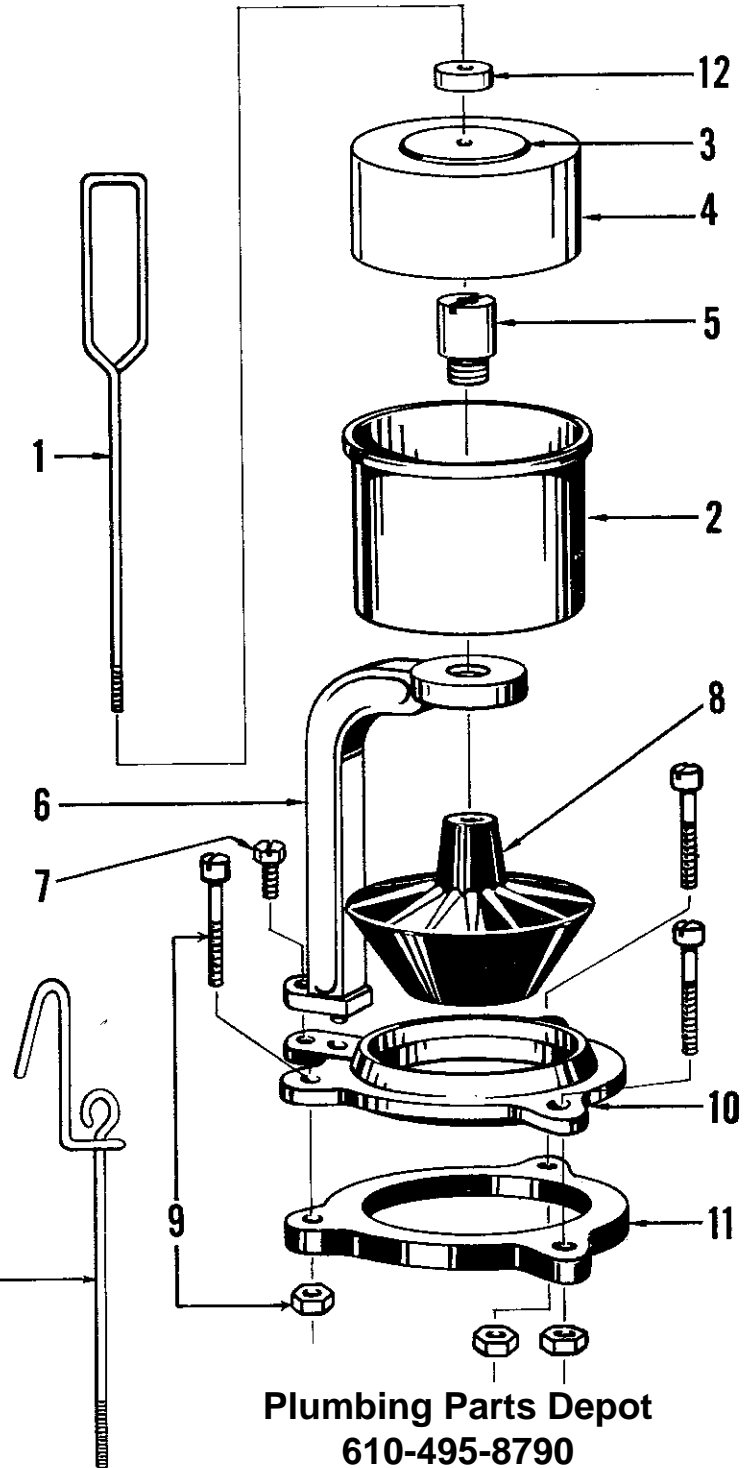
**F-7310 DWELL-TYPE FLUSH VALVE**  
FURNISHED IN G-3000, G-3005, AND AS REPLACEMENT  
VALVE FOR G-200, G-205 ONEPIECE CLOSETS



ITEM	PART No.	DESCRIPTION	REQ.
1	BF-163	Loop Lift Wire	1
2	BF-171	Float Bowl	1
3	BF-168	Nylon Bushing	1
4	BF-169	Styrofoam Float	1
5	BF-170	Nylon Stud	1
6	BF-164	Arm	1
7	BF-165	Arm Screw	1
8	BF-172	Tank Ball	1
9	BF-162	Bolt and Nut	3 ea.
10	BF-173	Flange Seat	1
11	BF-174	Rubber Washer	1
12	BF-167	Nylon Washer	1
13	BF-166	Conventional Lift Wire Set	1

**NOTE**

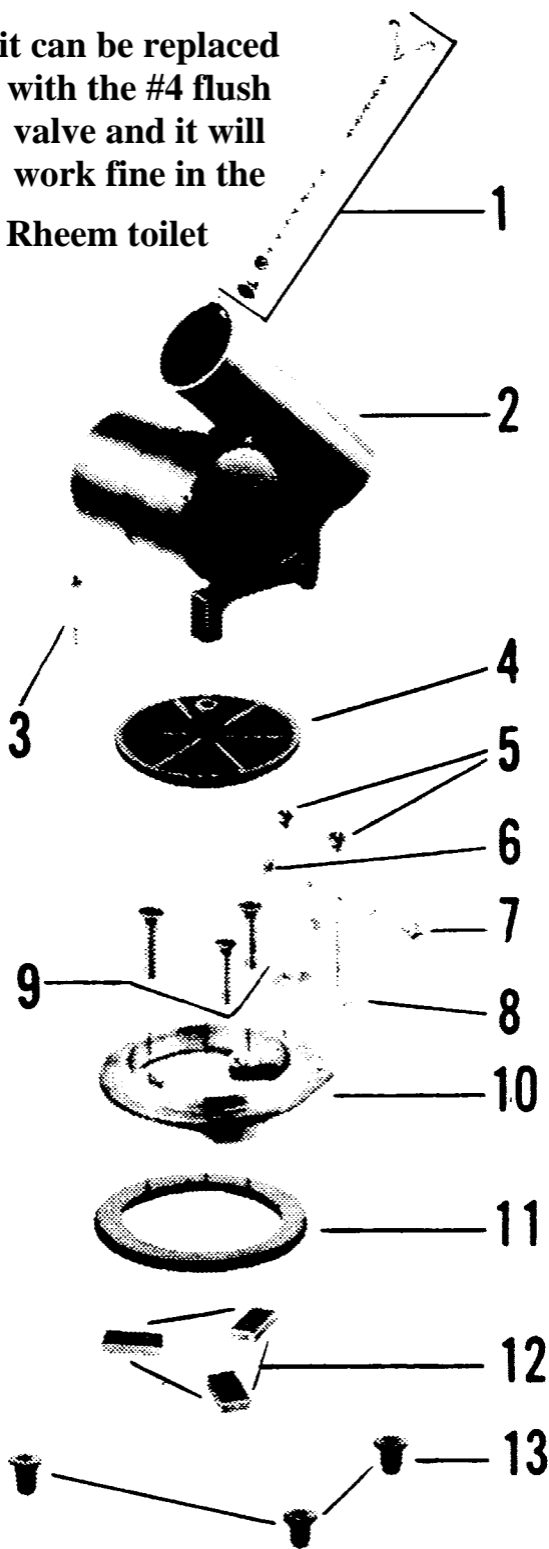
When complete valve is ordered please specify whether it is for the G-200-205 or G-3000-3005. This valve replaces Curtin No. 50 and when installed as replacement in G-200-205 conventional lift wires which are furnished must be used instead of the No. BF-163 loop lift wire and nylon washer No. BF-167 is removed and not used.

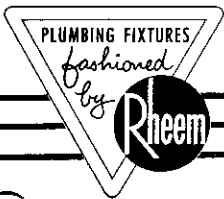


**Plumbing Parts Depot**  
610-495-8790  
www.ppd1.biz

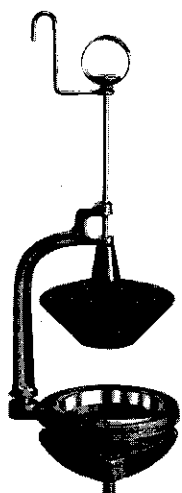
If flush valve is in the exact center of the the tank

it can be replaced with the #4 flush valve and it will work fine in the Rheem toilet

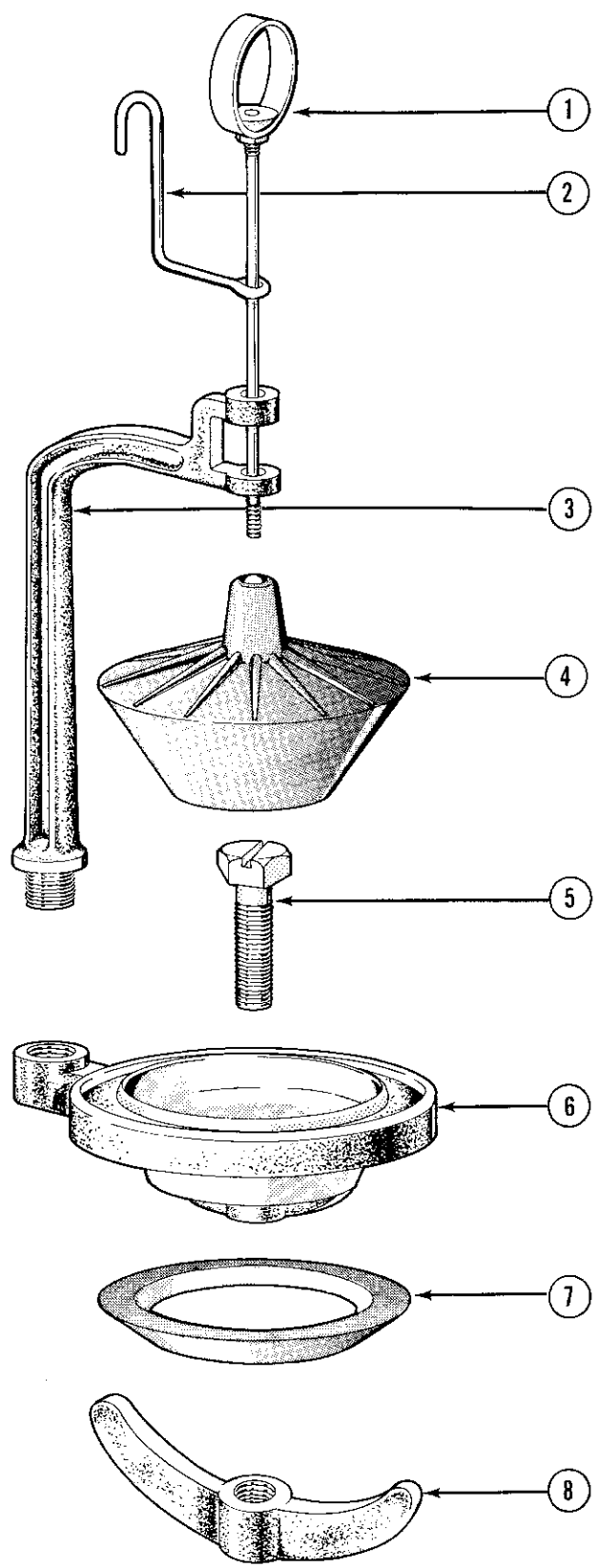




## F-7314 FLUSH VALVE FOR G-3015



**Plumbing Parts Depot**  
800-448-8977  
www.ppd1.biz



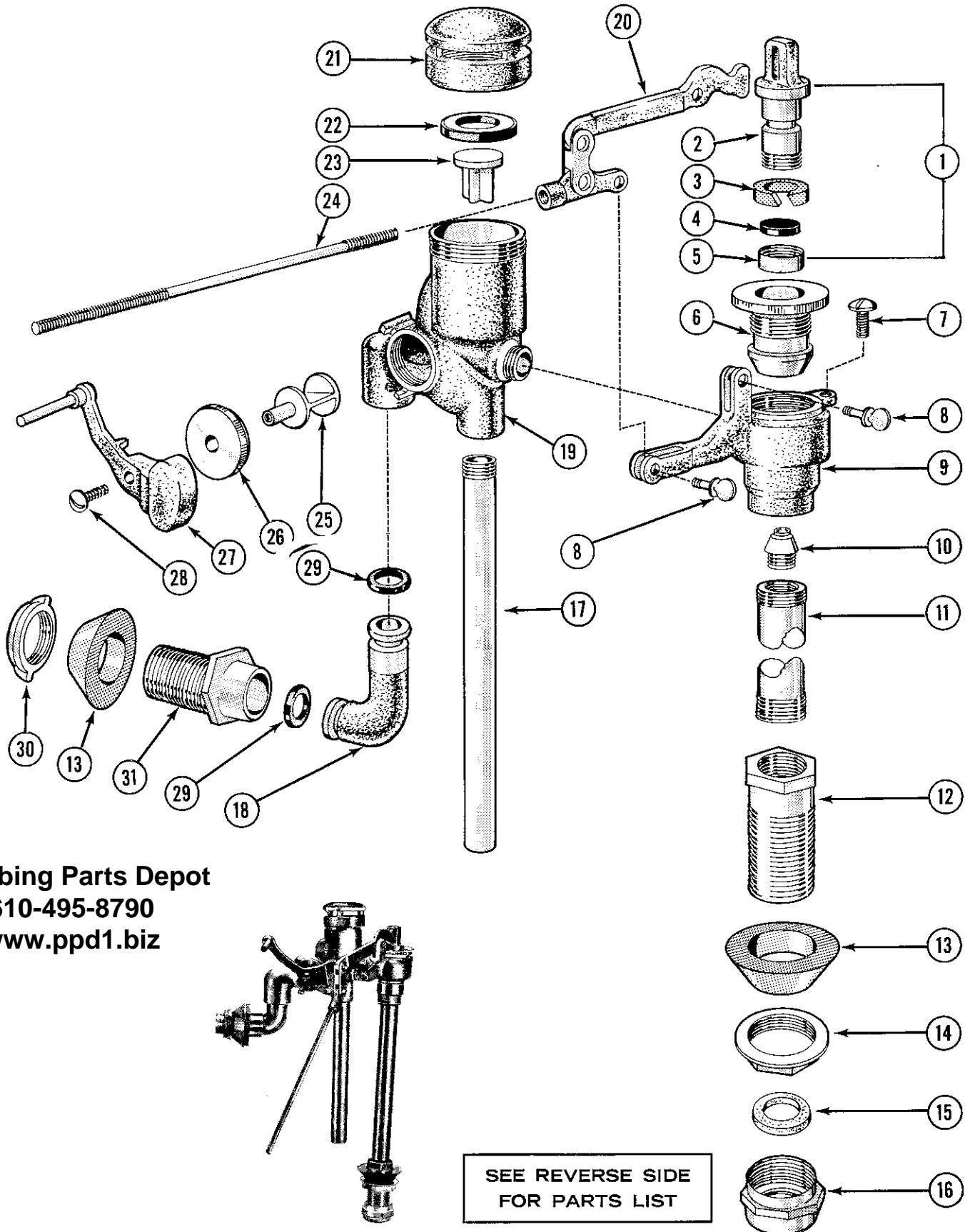
ITEM	PART No.	DESCRIPTION	REQ.
1	BF-262	Swivel Eye and Pin Assembly	1
2	BF-263	Upper Wire	1
3	BF-264	Flush Valve Bracket	1
4	BF-172	Tank Ball	1
5	BF-265	Bolt	1
6	BF-266	Flush Valve Seat	1
7	BF-267	Rubber Washer	1
8	BF-268	Winged Nut	1

**USE CASE SP29**

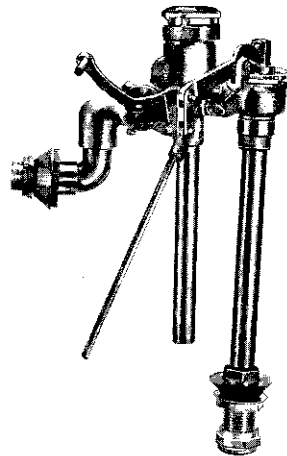
**NOTE—ORDER BY PART NUMBER, NOT ITEM NUMBER.**

**F-7331 VACUUM BREAKER FLOAT VALVE**

FOR G-3015

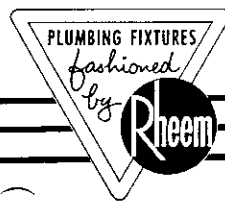


**Plumbing Parts Depot**  
610-495-8790  
www.ppd1.biz



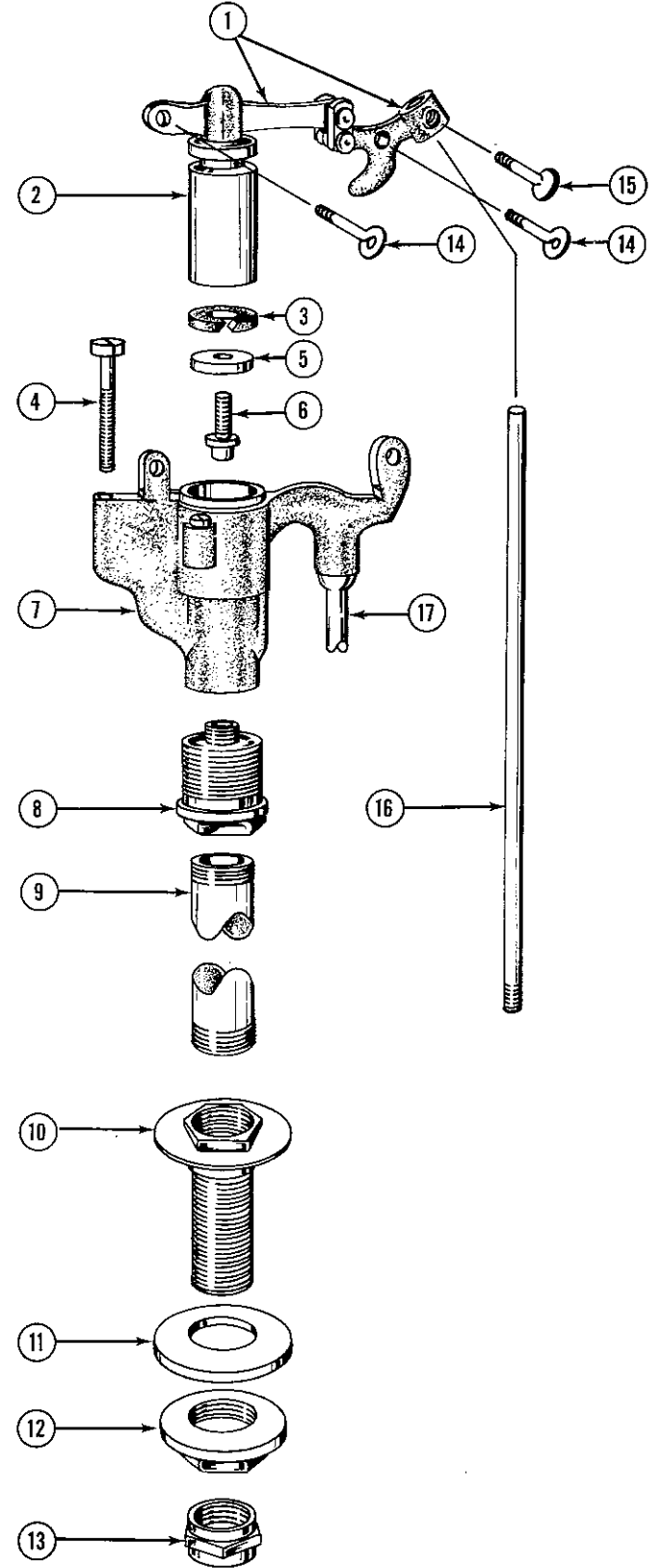
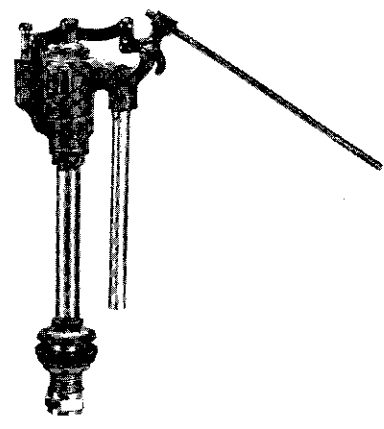
SEE REVERSE SIDE  
FOR PARTS LIST

**NOTE—ORDER BY PART NUMBER, NOT ITEM NUMBER.**



## CLOSET TANK FITTING F-7336 FLOAT VALVE

FURNISHED IN G-200, G-205 ONE PIECE CLOSETS



ITEM	PART No.	DESCRIPTION	REQ.
1	BF-132	Plunger Lever and Linkage	1
2	BF-133	Plunger	1
3	BF-134	Split Washer	1
4	BF-135	By-Pass Screw	1
5	BF-146	Seat Washer	1
6	BF-136	Screw	1
7	BF-137	Ballcock Body	1
8	BF-138	Removable Seat	1
9	BF-139	Supply Pipe	1
10	BF-140	Bottom Shank	1
11	BF-181	Shank Washer	1
12	BF-142	Locknut	1
13	BF-143	Coupling Nut	1
14	BF-145	Screw Eye	2
15	BF-144	Screw	1
16	BF-147	Float Rod	1
17	BF-148	Hush Tube	1

**NOTE—ORDER BY PART NUMBER, NOT ITEM NUMBER.**