

SERVICE PARTS

LAVATORY FITTINGS

K-6950§
K-7401-DB§
K-7401-FL§
K-7401-T
K-13360

ALTERNA
 FLAIR II
 FLAIR
 TRITON II
 FINESSE

CENTRA LAVATORY FITTING
 CENTRA LAVATORY FITTING
 CENTRA LAVATORY FITTING
 CENTRA LAVATORY FITTING
 CENTRA LAVATORY FITTING

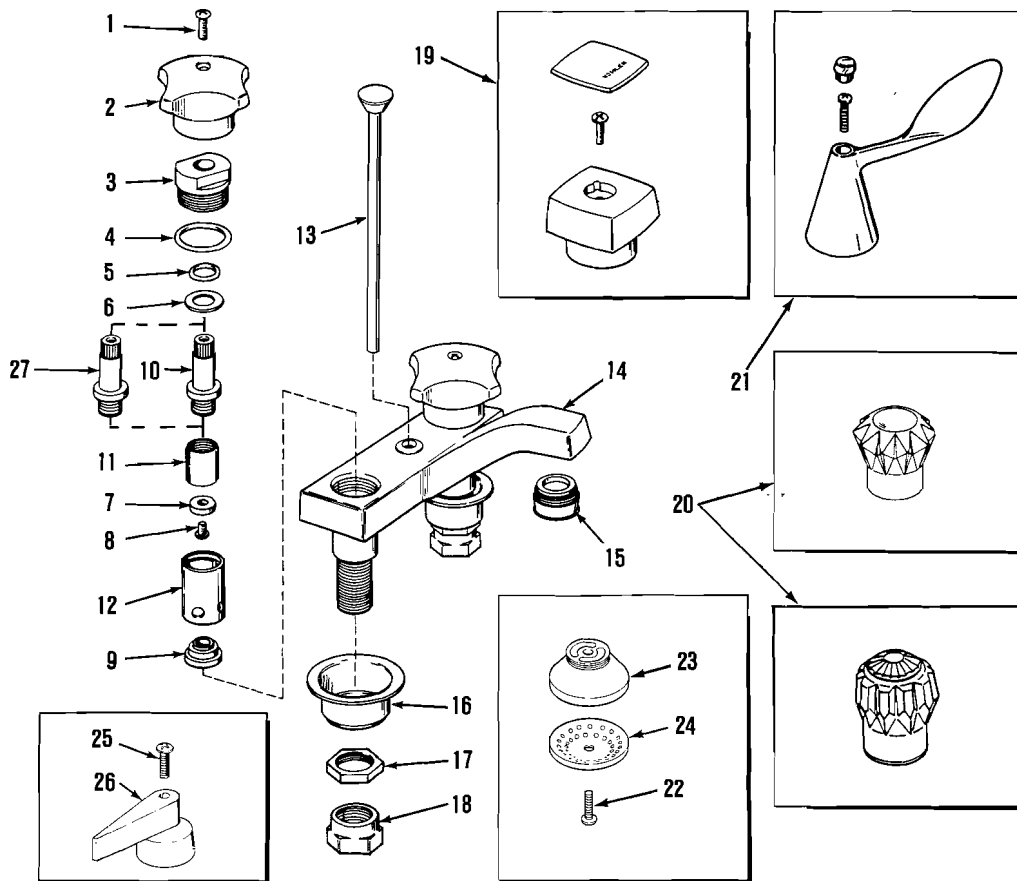
K-7401-TL
K-7403-TL
K-7404-TL
K-7408-TL

TRITON II
 TRITON II
 TRITON II
 TRITON II

LAVATORY FITTING
 LAVATORY FITTING
 LAVATORY FITTING
 LAVATORY FITTING

ORDER BY KIT NUMBER OR PART NUMBER, NOT ITEM NUMBER OR KIT LETTER.

Ordering Options	
Item	Part No. or Kit
1	B
2	C
3	34260
4 thru 9	A, E, F, G, H
10, 11, 12	A, E or F
13	I or J
14	*
15	30072‡
16, 17, 18	K
19	L
20	M
21	N
22, 23	O
24	35230‡, O
25	P
26	D
27	A, G or H



Kit Ordering Information			Kit Contents
Kit	Kit Part No.	Kit Name	
A	30294	Valve Rebuilding	2 ea., items 4 thru 9
B	30097‡	Screw	2 ea., item 1
C	30024‡	Triton II Handle	1 ea. Hot, 1 ea. Cold; item 2
D	38615‡	Lever Handle	1 ea. Hot, 1 ea. Cold; item 26
E	30004	Valve Replacement (Closes Counterclockwise)	1 ea., items 4 thru 12
F	30002	Valve Replacement (Closes Clockwise, Symmetrical)	1 ea., items 4 thru 12
G	30135	Valve Replacement (Closes Clockwise for Finesse)	1 ea., items 4 thru 12
H	30134	Valve Replacement (Closes Counterclockwise for Finesse)	1 ea., items 4 thru 12
I	51196‡	Lift Rod (Round Knob)	1 ea., item 13
J	29701‡	Lift Rod (Square Knob)	1 ea., item 13
K	30227	Spacer Nut	1 ea., items 16, 17, and 18
L	106478§■	Alterna Handle Options (Small)	See INDEX.
M	106299§■	Flair, Flair II Handle Options (Small)	See INDEX.
N	106730§■	Wrist Control Handle Option (Small)	See INDEX.
O	34394‡	Rose Spray	1 ea., items 22, 23, and 24
P	30105‡	Screw Kit	2 ea., item 25

KITS MAY INCLUDE EXTRA PARTS

NOTES:

* Not available as a service part.
 ‡ For pop-up drain, see Page 2-35.
 Other Product Numbers Using Same Parts:
 K-7401-T, K-7403-T, K-7404-T, K-7408-T

LEGEND:

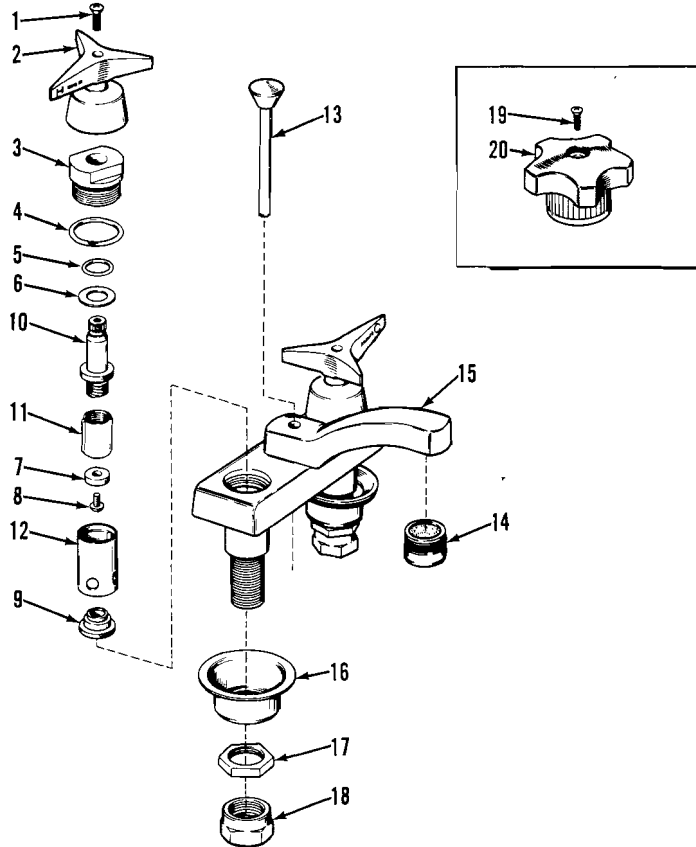
‡ Specify finish.
 □ Shading indicates product discontinued.
 § Reference number only.
 ■ Parts further exploded in catalog; see INDEX.

K-7401§ TRITON CENTRA LAVATORY FITTING
K-6960§ CONSTELLATION CENTRA LAVATORY FITTING

ORDER BY KIT NUMBER OR PART NUMBER, NOT ITEM NUMBER OR KIT LETTER.

Ordering Options

Item	Part No. or Kit
1	B or C
2	D
3	34260
4 thru 9	A, E, or F
10, 11, 12	E or F
13	51196‡
14	41056‡
15	*
16, 17, 18	G
19	H
20	I



Kit Ordering Information

Kit	Kit Part No.	Kit Name	Kit Contents
A	30294	Valve Rebuilding	2 ea., items 4 thru 9
B	30107	Screw	2 ea., item 1
C	30097‡	Screw	2 ea., item 1
D	30027‡	Triton Handle	1 ea. Hot, 1 ea. Cold; item 2
E	30002	Valve Replacement (Closes Clockwise)	1 ea., items 4 thru 12
F	30004	Valve Replacement (Closes Counterclockwise)	1 ea., items 4 thru 12
G	30227	Attachment S.A.	2 ea., items 16, 17, and 18
H	30109‡	Screw	2 ea., item 19
I	30026‡	Constellation Handle	1 ea. Hot, 1 ea. Cold; item 20

KITS MAY INCLUDE EXTRA PARTS

NOTES:
 Other Discontinued Triton Product Numbers Using Same Parts
 K-7403§ K-7405§ K-7408§
 K-7404§ K-7406§ K-7409§
 * Not available as a service part.

LEGEND:
 ‡ Specify finish.
 § Reference Number Only.
 □ Shading indicates product discontinued.