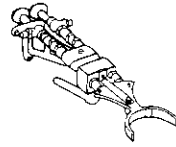


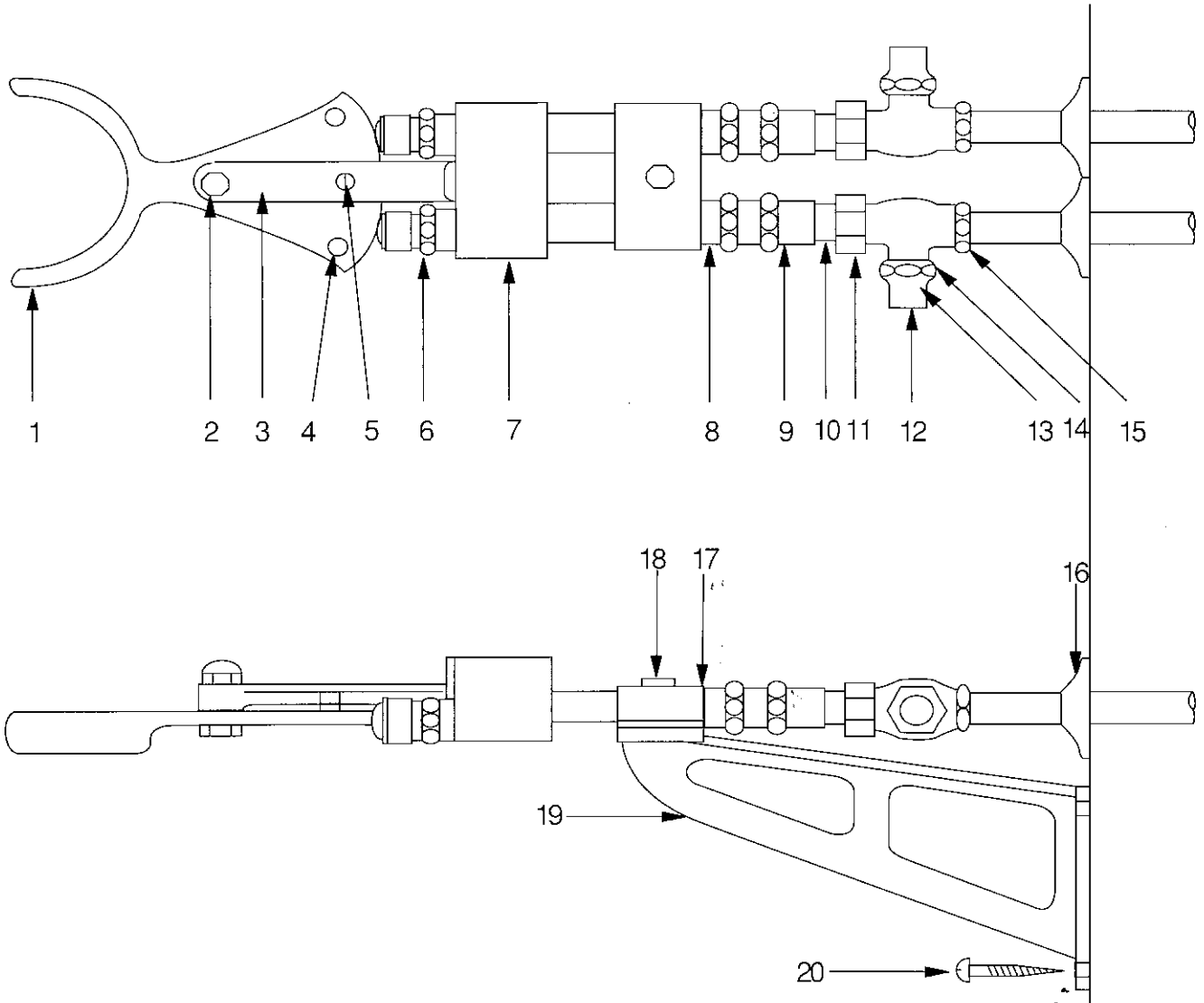
ELJER

COMMERCIAL/INSTITUTIONAL Wall-Mounted Knee Action Mixing Valve



559-2975

Plumbing Parts Depot
610-495-8790
www.ppd1.biz



DESCRIPTION	PART#
1 Cam lever	480-745-23
2 Bolt Washer Acorn nut	480-745-3 480-745-5 480-745-26
3 Bracket Bracket screws	480-745-22 480-625-6
4 Bumper Screws	480-745-24 480-250-93
5 Leveling screw	480-745-25
6 Valve unit **	480-745-X

DESCRIPTION	PART#
7 Body	480-745-21
8 Coupling	480-530-12
9 1.6 GPM Stei-Flo unit	480-1021
10 Tailpiece	480-625-50
11 Coupling nut	480-625-45
12 Button	480-1-144
13 Valve unit †	480-217-X-LH
14 Cap	480-1-46

DESCRIPTION	PART#
15 Body	480-625-11
16 Flange	480-749-16
17 Clamp	480-649-5
18 Bolt Washer	480-649-6 480-745-5
19 Bracket	480-649-3
20 Wood screw	480-649-4

** For valve unit parts see page C18.
† For valve unit parts see page C16.

AN ELJER
INDUSTRIES COMPANY

ELJER

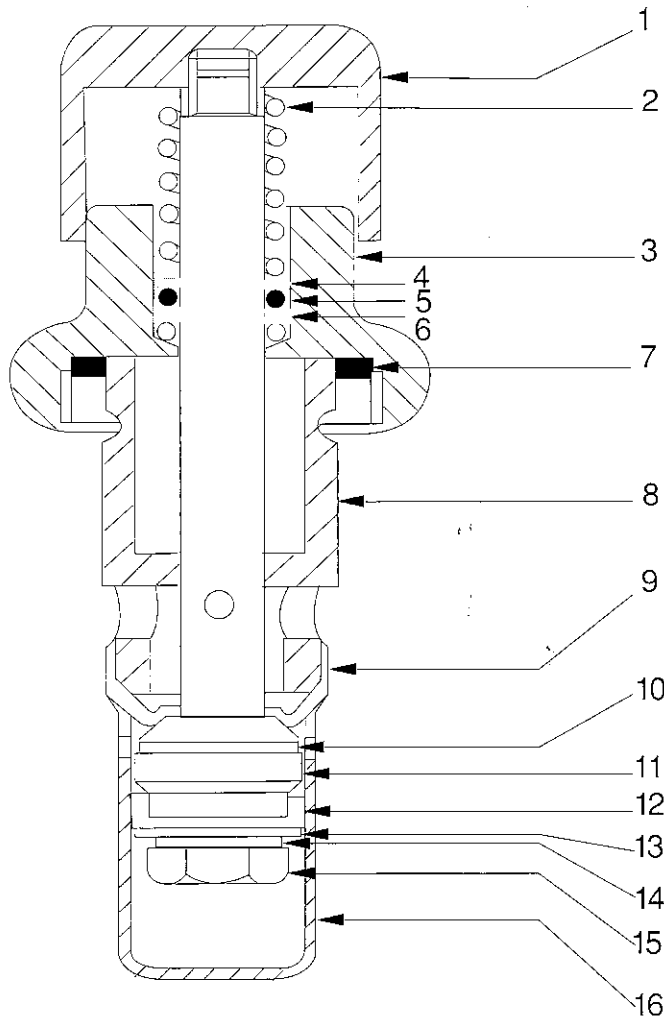
COMMERCIAL/INSTITUTIONAL Valve Unit For Pedal Mixing Valves

ILLUSTRATION
NOT AVAILABLE

480-625-X

Plumbing Parts Depot
610-495-8790
www.ppd1.biz

available as complete cartridge only



	DESCRIPTION	PART#
1	C.P. button & stem	480-625-12K
2	Spring	480-395-18NF
3	Cap	480-319-3CP
4	Washer	480-319-12RBF
5	"O" ring (2 req'd)	480-319-40NF
6	Leather washer	480-319-35NF

	DESCRIPTION	PART#
7	Gasket	480-1-43NF
8	Sleeve	480-433-42RBF
9	Monel seat	480-1-27NF
10	Seat washer	480-244-6NF
11	Retainer	480-333-26RBF
12	Cup	480-333-40NF

	DESCRIPTION	PART#
13	Washer	480-333-39NF
14	Washer (Monel)	480-1-31NF
15	Nut	480-333-97NF
16	Dashpot	480-333-75

ELJER



COMMERCIAL/INSTITUTIONAL

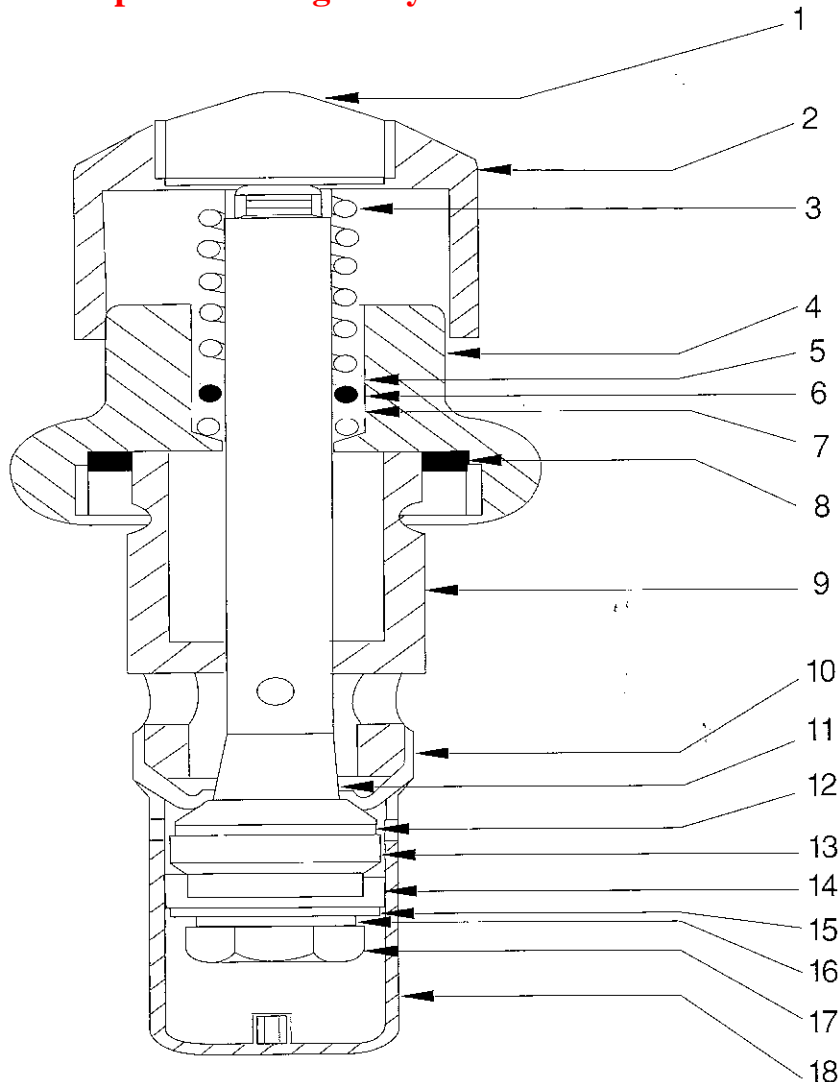
Valve Unit For
Knee Action Mixing Valves

Plumbing Parts Depot
610-495-8790
www.ppd1.biz

ILLUSTRATION
NOT AVAILABLE

480-745-X

available as complete cartridge only



DESCRIPTION	PART#
1 Button tip, button & stem	480-745-10K,NF
2 Button & stem assy.	480-745-15K,CP
3 Spring	480-395-18NF
4 Cap	480-319-3CP
5 Washer	480-319-12RBF
6 "O" ring (2 req'd)	480-319-40NF

DESCRIPTION	PART#
7 Leather washer	480-319-35NF
8 Gasket	480-1-43NF
9 Sleeve	480-433-42RBF
10 Metering cone	480-745-16RBF
11 Monel seat	480-1-27NF
12 Seat washer	480-244-6NF

DESCRIPTION	PART#
13 Retainer	480-333-26RBF
14 Cup	480-333-40NF
15 Washer	480-333-39NF
16 Washer (Monel)	480-1-31NF
17 Nut	480-333-97NF
18 Dashpot	480-333-73

AN **ELJER**
INDUSTRIES COMPANY