

2 or 3 Valve Tub and/or Showers (Prior to 1998)

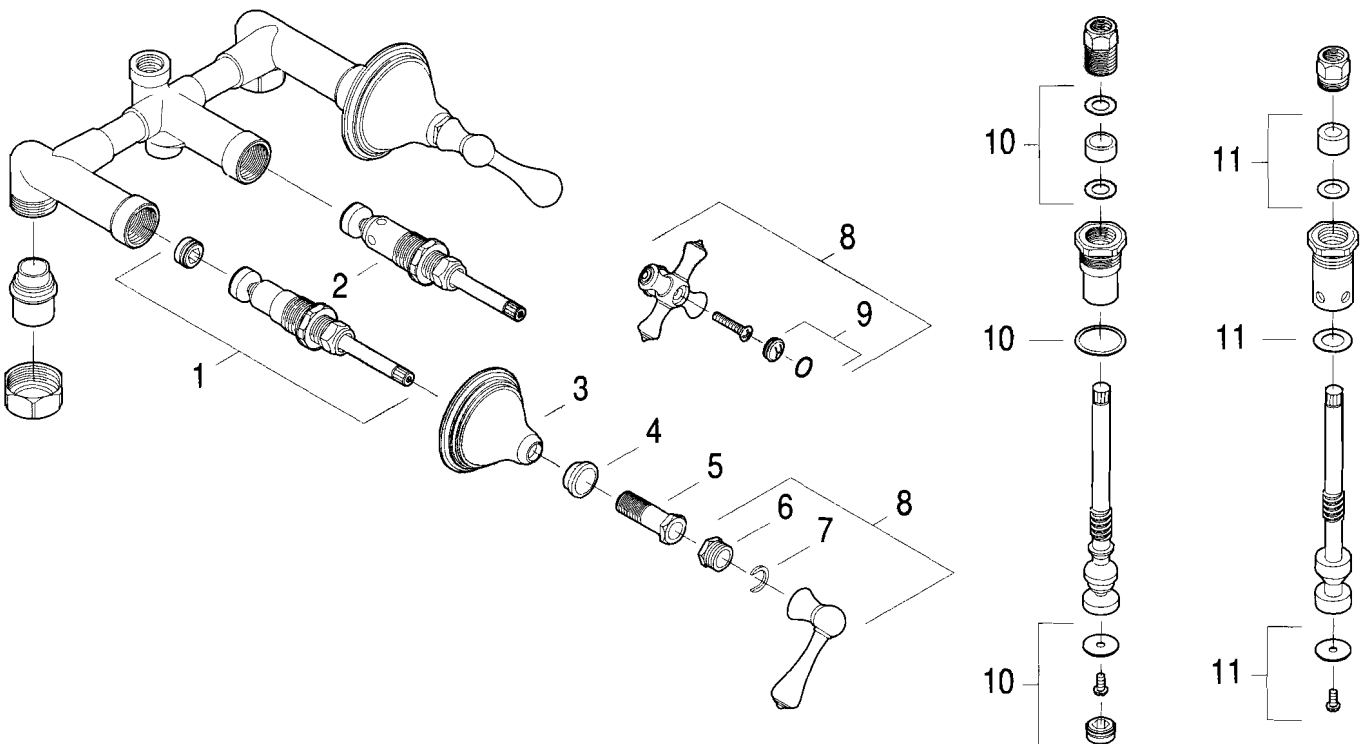
1/2" Compression Valves
Parts Diagram



Plumbing Parts Depot
610-495-8790
www.ppd1.biz

**For Personal Showers and
Tub Spouts Refer to Shower
Systems Section.**

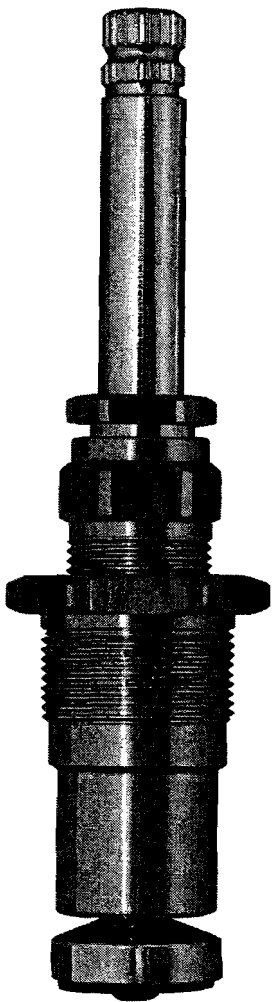
**Stems only available
all other parts are no longer
available**



Part No.	Description
1. 26.57760*	1/2" Compression Cartridge (Hot) (605 & 625 Finish Only)
26.57761*	1/2" Compression Cartridge (Cold) (605 & 625 Finish Only)
2. 26.57759*	Diverter Valve (605 & 625 Finish Only)
3. See Note	Bell and Collar

Part No.	Description
4. See Note	Stem Collar
5. 26.59812*	Stem Nut
26.59846*	Stem Nut (Taliesen Suite®)
6. 26.59985*	Clip Nut (Concealed Mount Only)
7. 26.50001 000	C-Clip (Concealed Mount Only)
8. See Note	Handle Assembly

Part No.	Description
9. 26.58166*	Index Button Set (Includes 1 each: "Hot" Button, "Cold" Button & "Brass" Button)
26.58165*	Diverter Index Button Set (Includes: One "Plain" Button & One "Brass" Button)
10. 26.50446 000	Valve Washer Repair Kit
11. 26.50792 000	Diverter Washer Repair Kit



G05-0306 RH Stem &
Bonnet Assembly