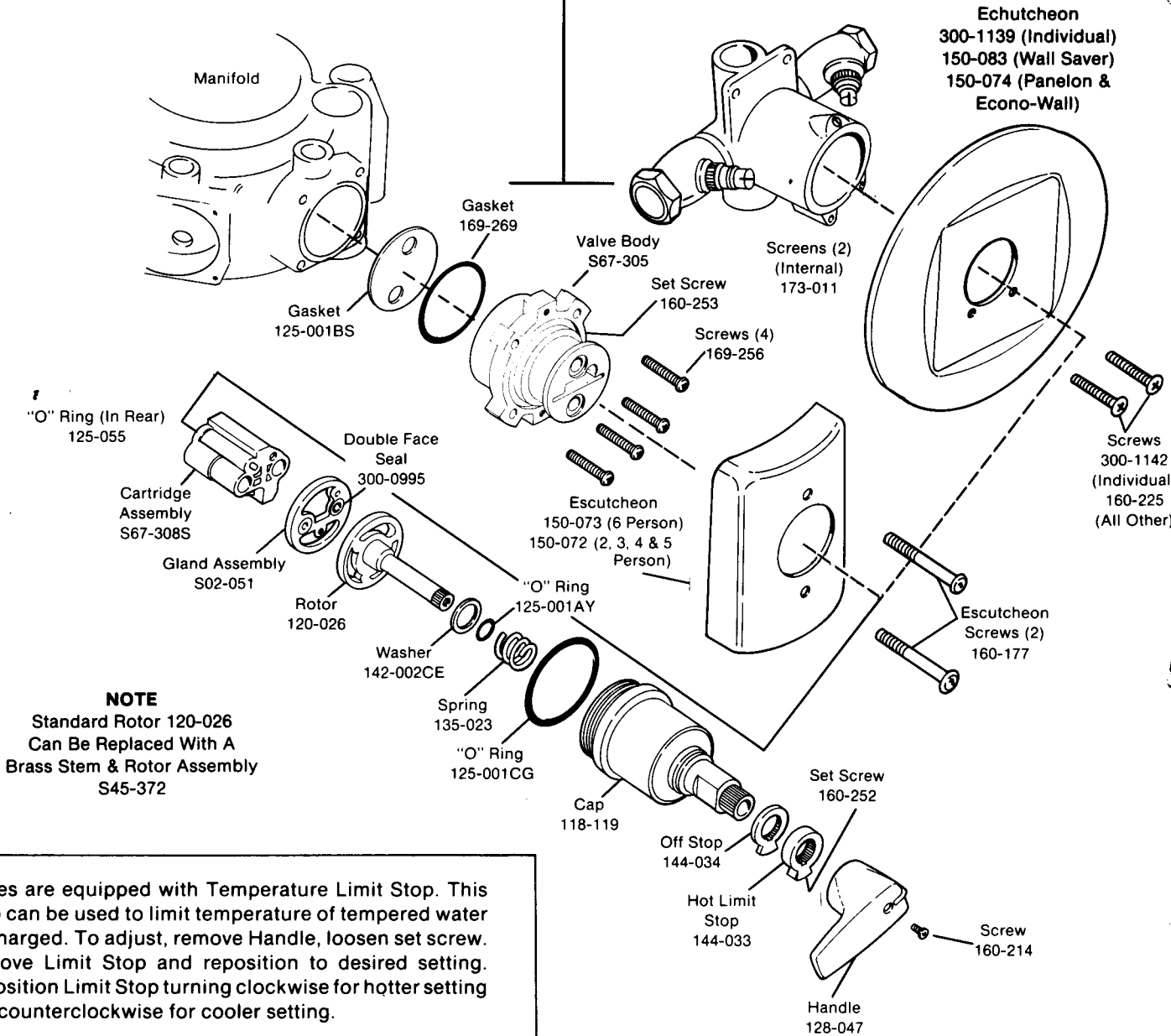


BRADLEY EQUA-FLO #478 — FIRST GENERATION
Furnished to May 1982

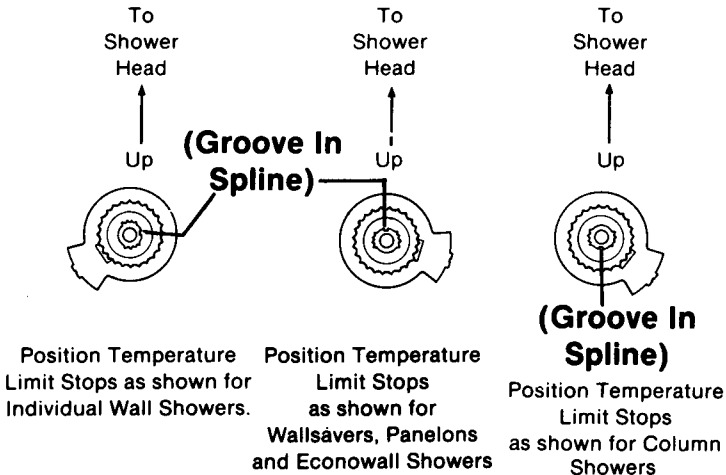
Column Type Showers

Wall Type Showers



Valves are equipped with Temperature Limit Stop. This Stop can be used to limit temperature of tempered water discharged. To adjust, remove Handle, loosen set screw. Remove Limit Stop and reposition to desired setting. Reposition Limit Stop turning clockwise for hotter setting and counterclockwise for cooler setting.

Temperature Limit.



SERVICE SUGGESTIONS: Ordinary service requires replacement only of Double Face Seals. When replacing, it is recommended that you order complete Gasket Kit S45-271. Bottom of Rotor (where contact is made with seals) should be checked for scratches. If scratched, replace.

Gasket Repair Kit S45-271
 Includes

1 125-001CG	"O" Ring
1 142-002CE	Washer
1 125-001AY	"O" Ring
2 300-995	Double Face Seal
2 125-055	Square Ring

Lubricate Top Face of Seal 300-995 with a slight film of Dow Corning #111 Compound at assembly.

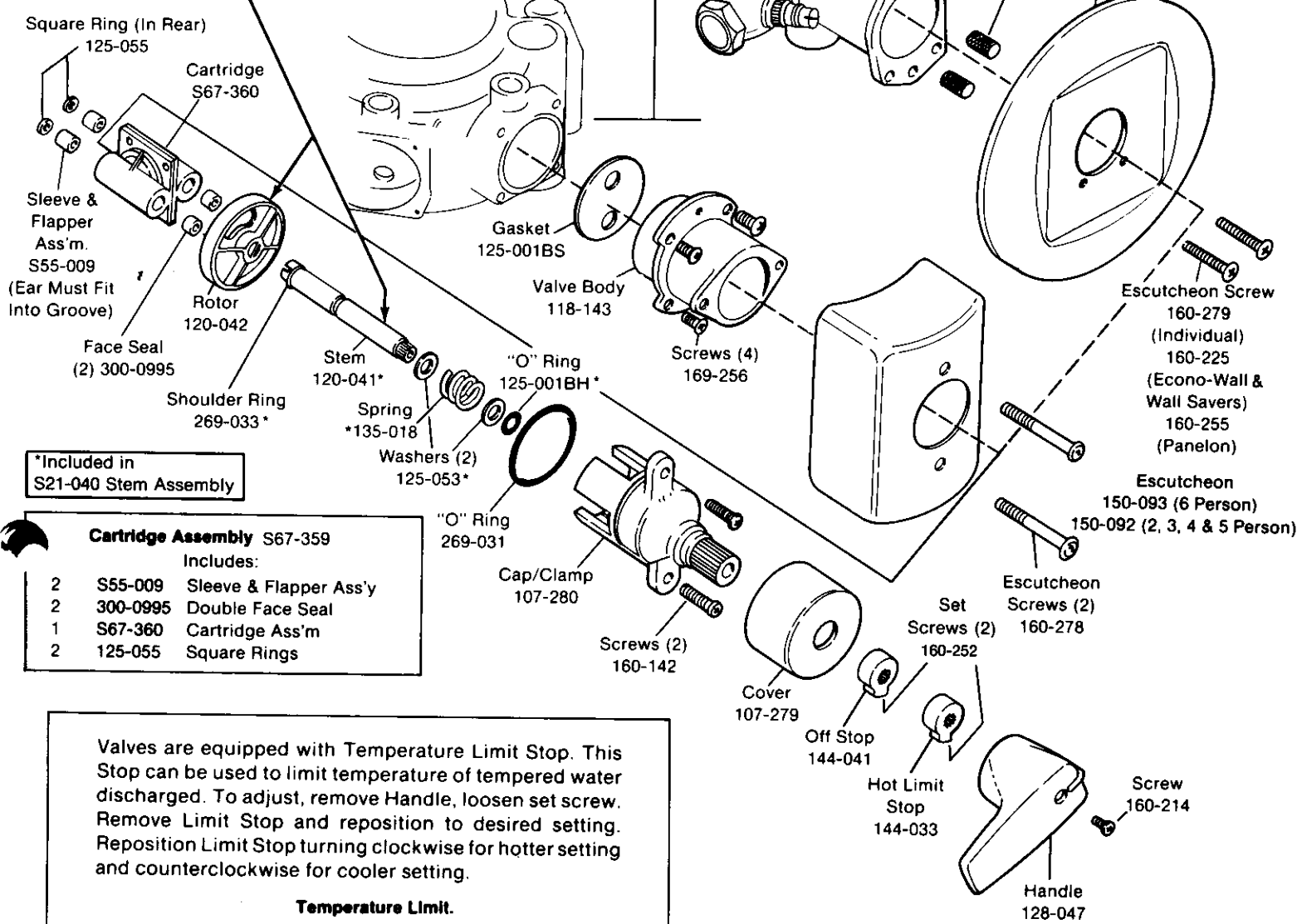
BRADLEY EQUA-FLO #478 — SECOND GENERATION

Furnished From May 1982 to Present

Column Type Showers

Wall Type Showers

NOTE: SHOULD THE ROTOR COME OFF THE STEM, ALIGN GROOVE IN OUTER RIM OF ROTOR WITH GROOVE IN SPLINE ON THE STEM WHEN REASSEMBLING.



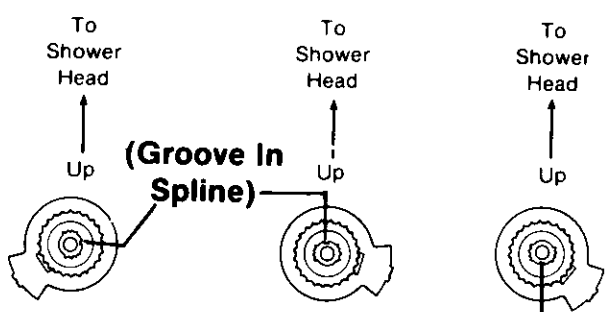
*Included in S21-040 Stem Assembly

Cartridge Assembly S67-359
Includes:

2	S55-009	Sleeve & Flapper Ass'y
2	300-0995	Double Face Seal
1	S67-360	Cartridge Ass'm
2	125-055	Square Rings

Valves are equipped with Temperature Limit Stop. This Stop can be used to limit temperature of tempered water discharged. To adjust, remove Handle, loosen set screw. Remove Limit Stop and reposition to desired setting. Reposition Limit Stop turning clockwise for hotter setting and counterclockwise for cooler setting.

Temperature Limit.



Position Temperature Limit Stops as shown for Individual Wall Showers.
Position Temperature Limit Stops as shown for Wallsavers, Panelons and Econowall Showers.
Position Temperature Limit Stops as shown for Column Showers

Gasket Repair Kit S65-073
Includes:

2	125-055	Square Ring
1	125-001BH	"O" Ring
1	269-031	"O" Ring
2	300-995	Double Face Seal

NOTE

When replacing the double face seals, lubricate the top face with a small amount of silicone lubricant reassembling.

When assembling cap into valve body use silicone lubricant on 269-031 "O" Ring, to prevent twisting of "O" Ring.

If silicone lubricant is not available, a slight film of soap may be used.

COMPLETE COLUMN VALVE REPLACEMENT

S65-075	(2-5 Person)
S65-076	(6 Person)



**Equa-Flo Shower Valve, Version Prior to March, 2002 (Figure 10)
For Individual, Econo-Walls, Wall Savers, Panelons and Column Showers**

NOTE: Should the rotor come off the stem, align groove in outer rim of rotor with groove in spline on the stem when reassembling. Also, if you should wish to reverse hot for cold and cold for hot due to install error, or back to back installation, you can reassemble rotor 180° against stem and valve will work properly.

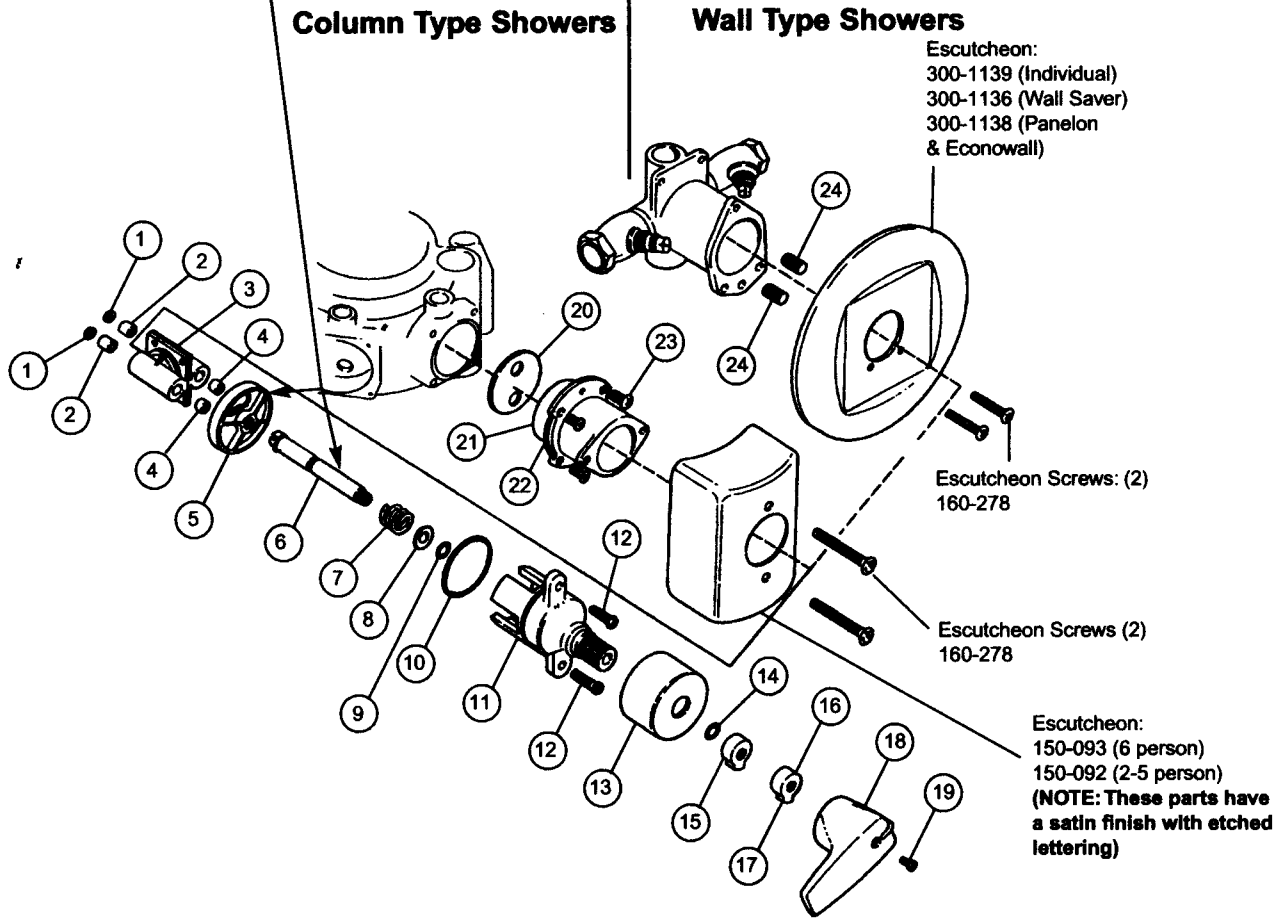


Figure 10a

Valves are equipped with a temperature limit stop which can be used to limit the temperature of tempered water discharged. To adjust the temperature, remove the handle and loosen the set screw. Remove the limit stop and reposition to desired setting. Turn the limit stop clockwise for a hotter setting and counterclockwise for a cooler setting.

NOTE: When replacing the double face seals, lubricate the top face with a small amount of lubricant reassembling.

When assembling cap into valve body, use lubricant on 269-031 O-ring to prevent twisting of O-ring.

If lubricant is not available, a slight film of soap may be used.

**NOTE: This page is for
Equa-Flo Shower Valve
PRIOR to March, 2002**



Equa-Flo Shower Valve Parts List, Version Prior to March, 2002 (Figure 10)

Item	Part No.	Description	Assembly	Cartridge Assembly S67-359	Stem Assembly S21-065	Gasket Repair Kit S65-073
			Qty			
1	125-055	Square Ring (In Rear)		2		2
2	S55-009	Sleeve & Flapper (Ear must fit into groove)		2		
3	118-145	Cartridge Housing		1		
4	125-081	Double-face Seal		2		2
5	120-042	Rotor	1			
6	120-133	Stem			1	
7	135-018	Spring			1	
8	125-053	Washer				
9	125-001BH	O-Ring			1	1
10	269-031	O-Ring				
11	107-280	Cap/Clamp	1			
12	160-142	Screws	2			
13	107-279	Cover	1			
14	125-001CY	O-Ring	1			1
15	144-041	OFF Stop	1			
16	144-033	Hot Limit Stop	1			
17	160-252	Set Screw	1			
18	128-047	Handle	1			
19	160-214	Screw	1			
20	125-001BS	Gasket	1			
21	118-143	Valve Body	1			
22	169-269	Top Seat Gasket	1			
23	169-256	Screws	4			
24	173-015	Screens (Internal)	2			
25	S27-102	Stops (Optional)	2			

Complete Column Valve Replacement for columns built prior to March, 2002:
S65-075 for 2-5 Person
S65-076 for 6-person

NOTE: This page is for Equa-Flo Shower Valve PRIOR to March, 2002

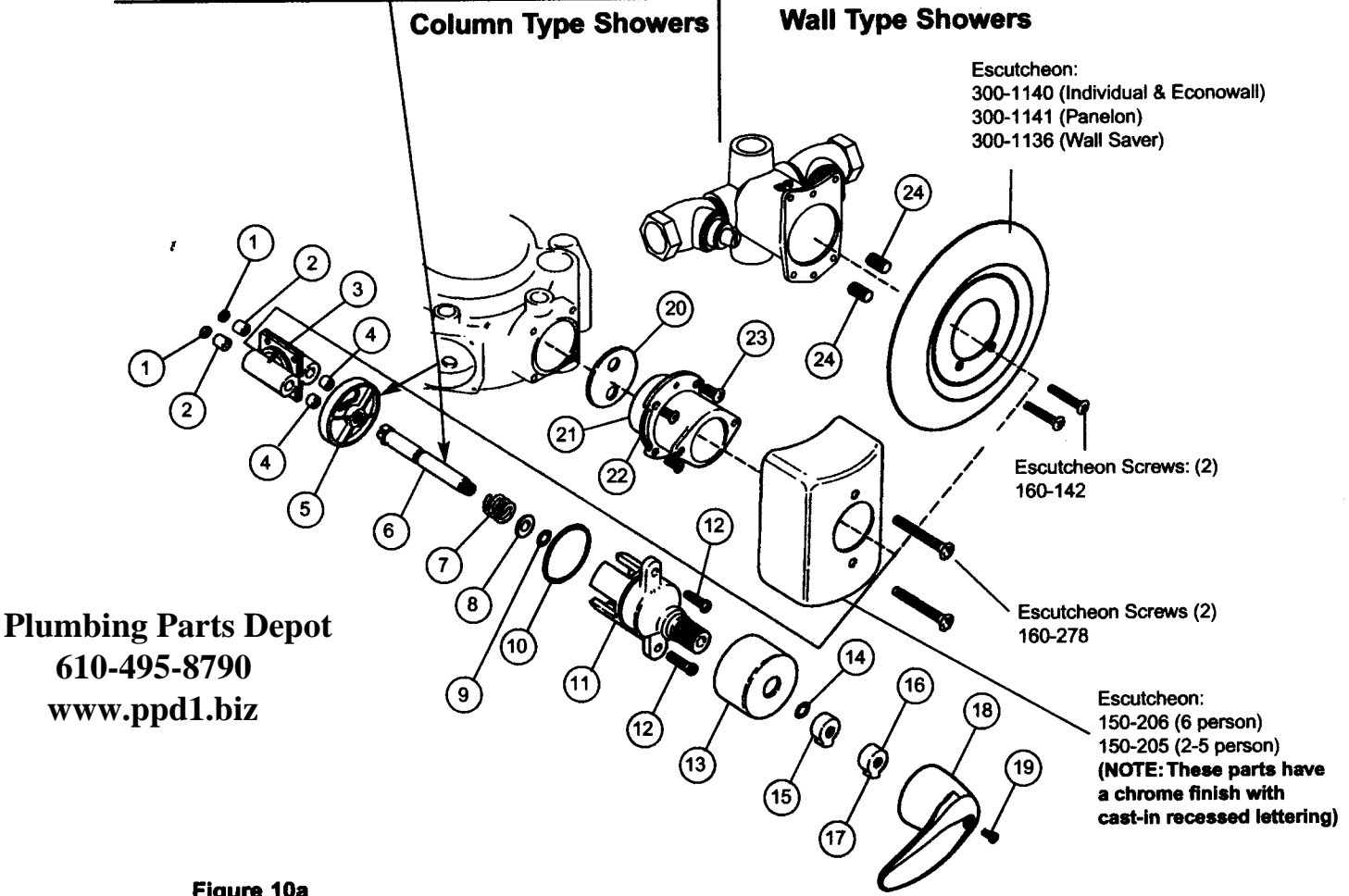
Plumbing Parts Depot
610-495-8790
www.ppd1.biz



Equa-Flo Shower Valve, March, 2002 to Present (Figure 10)

For Individual, Econo-Walls, Wall Savers, Panelons and Column Showers

NOTE: Should the rotor come off the stem, align groove in outer rim of rotor with groove in spline on the stem when reassembling. Also, if you should wish to reverse hot for cold and cold for hot due to install error, or back to back installation, you can reassemble rotor 180° against stem and valve will work properly.



Plumbing Parts Depot
610-495-8790
www.ppd1.biz

Figure 10a

Valves are equipped with a temperature limit stop which can be used to limit the temperature of tempered water discharged. To adjust the temperature, remove the handle and loosen the set screw. Remove the limit stop and reposition to desired setting. Turn the limit stop clockwise for a hotter setting and counterclockwise for a cooler setting.

NOTE: When replacing the double face seals, lubricate the top face with a small amount of lubricant reassembling.

When assembling cap into valve body, use lubricant on 269-031 O-ring to prevent twisting of O-ring.

If lubricant is not available, a slight film of soap may be used.

NOTE: This page is for Equa-Flo Shower Valve March, 2002 to present



Equa-Flo Shower Valve Parts List, March, 2002 to Present (Figure 10)

Item	Part No.	Description	Assembly	Cartridge Assembly S67-359	Stem Assembly S21-065	Gasket Repair Kit S65-073
			Qty			
1	125-055	Square Ring (In Rear)		2		2
2	S55-009	Sleeve & Flapper (Ear must fit into groove)		2		
3	118-145	Cartridge Housing		1		
4	125-081	Double-face Seal		2		2
5	120-042	Rotor	1			
6	120-133	Stem			1	
7	135-018	Spring			1	
8	125-053	Washer				
9	125-001BH	O-Ring			1	1
10	269-031	O-Ring				
11	107-280	Cap/Clamp	1			
12	160-142	Screws	2			
13	107-279	Cover	1			
14	125-001CY	O-Ring	1			1
15	144-041	OFF Stop	1			
16	144-033	Hot Limit Stop	1			
17	160-252	Set Screw	1			
18	128-161	Handle	1			
19	160-214	Screw	1			
20	125-001BS	Gasket	1			
21	118-143	Valve Body	1			
22	169-269	Top Seat Gasket	1			
23	169-256	Screws	4			
24	173-015	Screens (Internal)	2			
25	S27-102	Stops (Optional)	2			

Complete Column Valve Replacement for columns built March, 2002 to present:

S65-235 for 2-5 Person
 S65-236 for 6-person

NOTE: This page is for Equa-Flo Shower Valve March, 2002 to present

**Plumbing Parts Depot
 610-495-8790
 www.ppd1.biz**



Adjusting the Equa-Flo™ Valve (Figure 10)

NOTE: The maximum temperature limit stop has been preset by the factory for maximum temperature operation. For temperatures other than the maximum, the stop may be repositioned as shown below.

IMPORTANT: Failure to adjust the maximum temperature limit stop to a safe shower temperature, no more than 105°F, could result in the user being scalded.

1. Loosen the setscrew in the bottom of the hot limit stop.
2. Remove the outermost stop and reposition to the desired temperature setting (see Figure 10b).

NOTE: Do not remove the inner off-stop.

- A. Position the Temperature Limit Stops as shown for Individual Wall Showers.
- B. Position the Temperature Limit Stops as shown for Wall-Savers, Panelons and Econo-Walls.
- C. Position the Temperature Limit Stops as shown for Column Showers.

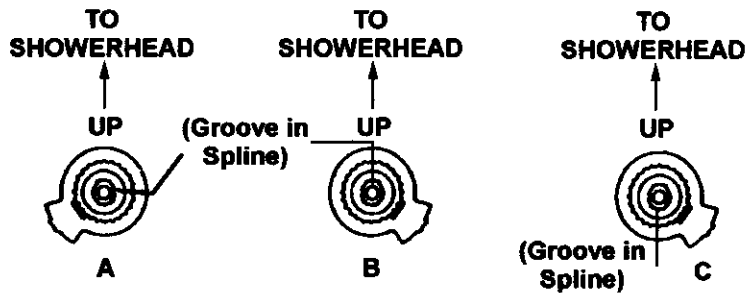


Figure 10b

3. If the desired position falls between adjacent positions on the spline, flip the stop over so that the other face shows. This shifts the stop position by 1/2 spline.

FOR BACK-TO-BACK INSTALLATION: On the valve that is installed "backwards," rotate the stem 180° so that the "groove in spline" is opposite that shown for tub and shower valves (see Figure 10c).

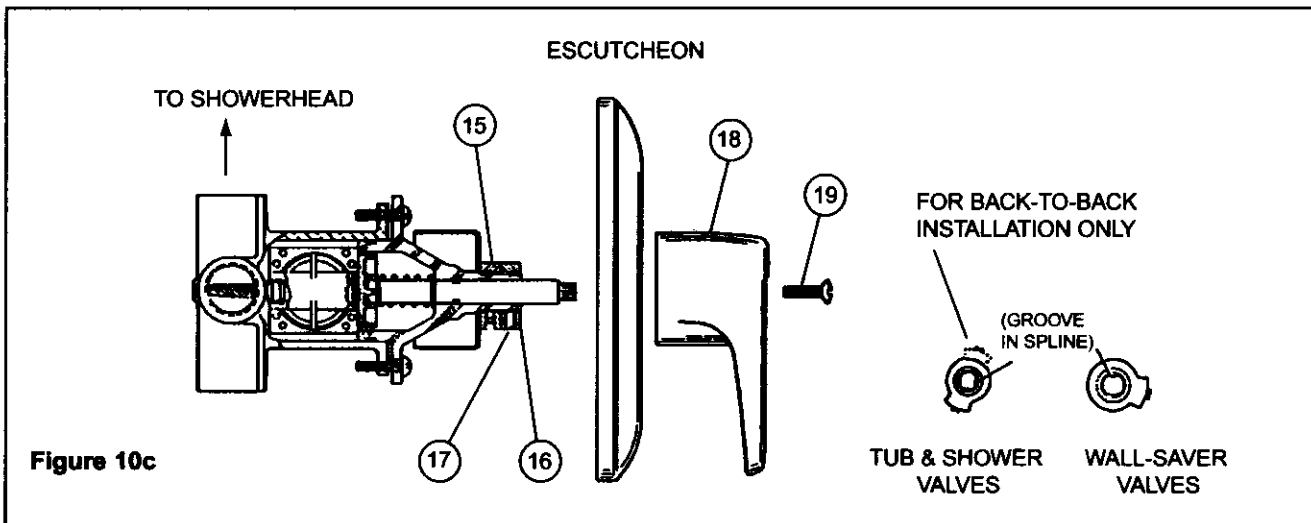


Figure 10c