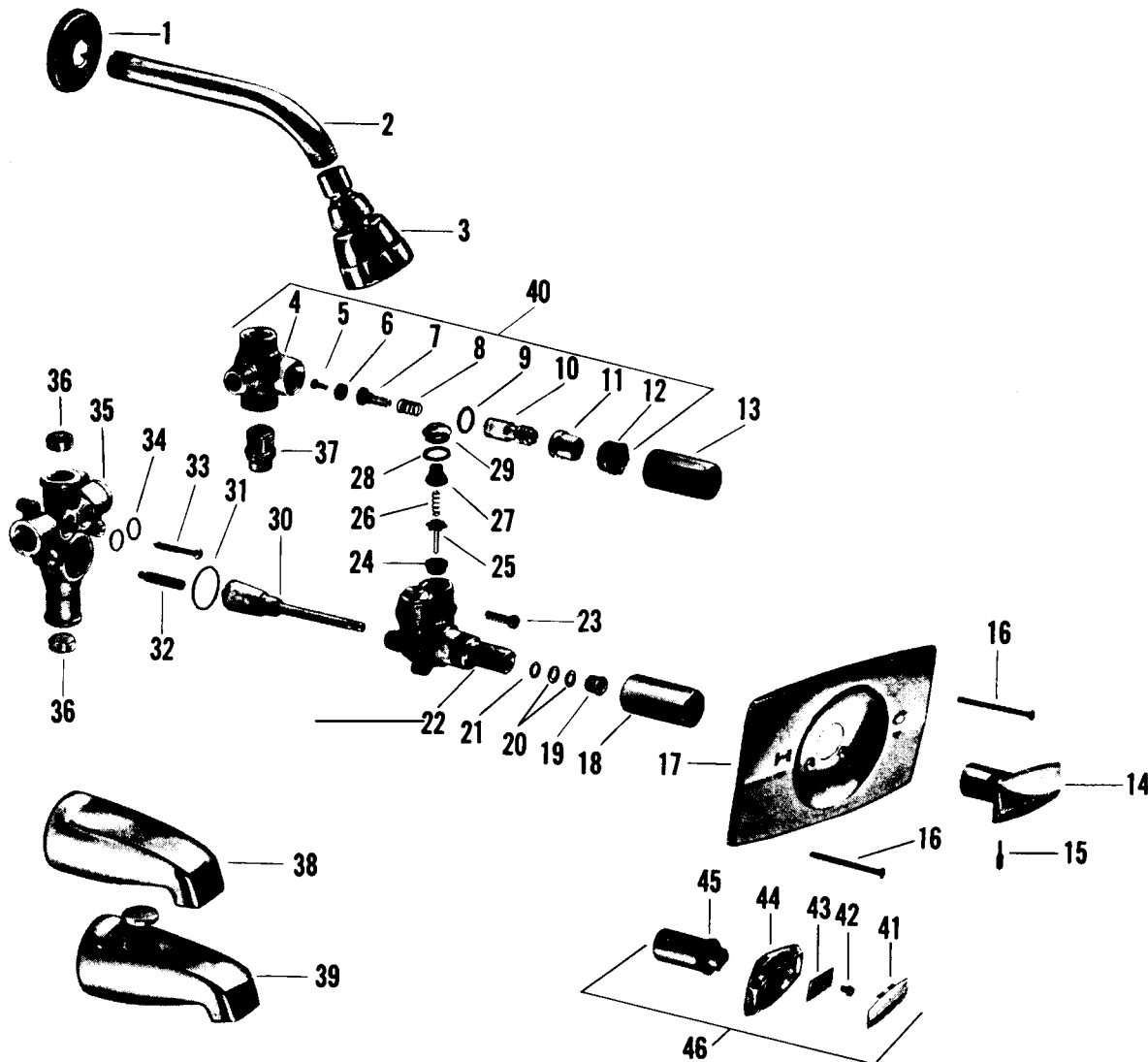
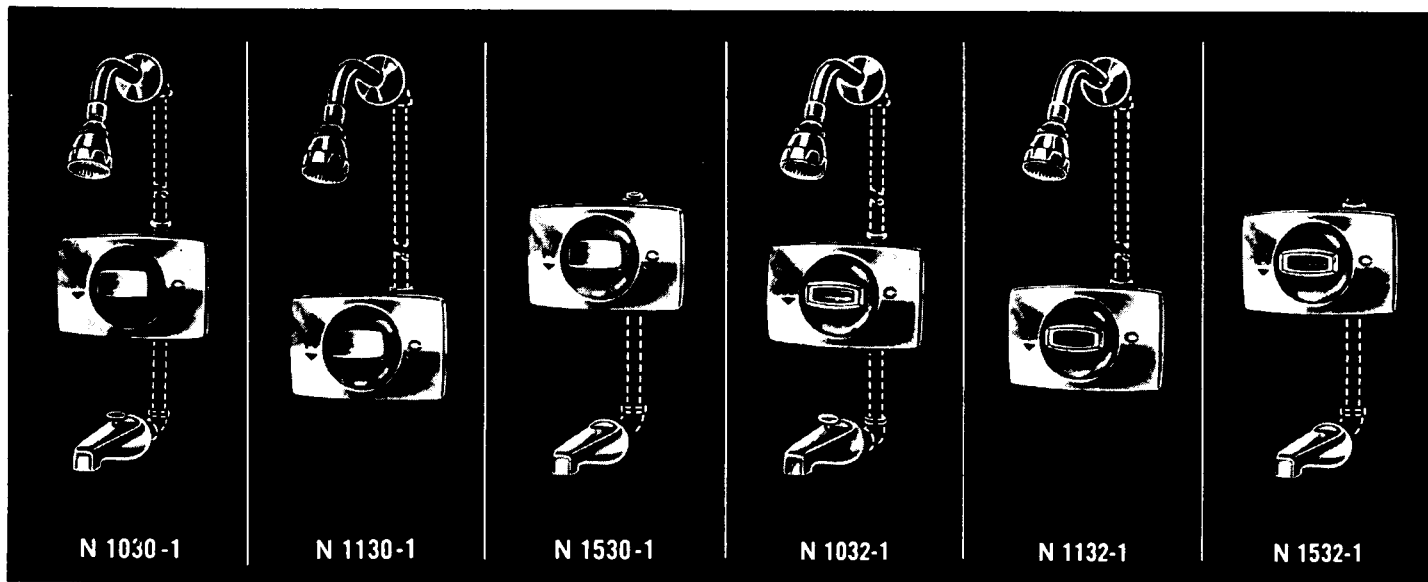


# Bath and Shower Fittings

Push-Pull



# Bath and Shower Fittings

Push-Pull

no.	description	part no.	N 1030-1 N 1032-1	N 1130-1 N 1132-1	N 1530-1 N 1532-1	N 1034-1 N 1036-1	N 1134-1 N 1136-1	N 1534-1 N 1536-1	N 1030-2 N 1032-2	N 1130-2 N 1132-2	N 1530-2 N 1532-2	N 1034-2 N 1036-2	N 1134-2 N 1136-2	N 1534-2 N 1536-2
1	Arm Flange	31252-02												
2	Shower Arm	298-12												
3	Shower Head S/A*	73535-02												
4	Check Stop Body	25550-08												
5	Seat Washer Screw	759-27												
6	Seat Washer	1059-27												
7	Lower Stem w/Washer & Screw	25302-08												
8	Spring	818-27												
9	"O" Ring	886-17												
10	Upper Stem	25318-07												
11	Stem Nut	854-17												
12	Lock Nut	855-17												
13	Guard Tube	1855-07												
14	Handle	29133-02												
15	Handle Screw	29223-07												
16	Escutcheon Screw	29120-01												
17	Escutcheon w/Gasket	29139-06												
18	Escutcheon Sleeve	29117-02												
19	Adjusting Nut	29105-07												
20	Packing	29104-07												
21	Adapter	29103-08												
22	Body	29102-08												
23	Body Screw	29118-07												
24	Seat	12002-07												
25	Stem	12270-07												
26	Spring	12179-07												
27	Screen	12269-07												
28	Gasket	12007-07												
29	Valve Plug	29109-07												
30	Cam & Shaft S/A	9422-08												
31	"O" Ring	29116-07												
32	Guide Post	29101-07												
33	Wall Screw	1370-17												
34	"O" Ring	29115-07												
35	Manifold	29100-08												
36	Plug	27816-07												
37	Copper Tube Adapter for N 1032-1, 1132-1, 1532-1, N 1036-1, 1136-1, 1536-1, N 1032-2, 1132-2, 1532-2, N 1036-2, 1136-2, 1536-2	1491-27												
38	Spout	455-32												
39	Diverter Spout	380-12												
40	Check Stop S/A	5485-08												
41	Button	29147-06												
42	Screw	29146-02												
43	Washer	29143-09												
44	Handle	29145-07												
45	Insert	29144-02												
46	Handle S/A	9405-02												

Sub-assembly  
Body & Manifold S/A - (Parts 19 thru 32 & Parts 34 & 35) - #9423-08

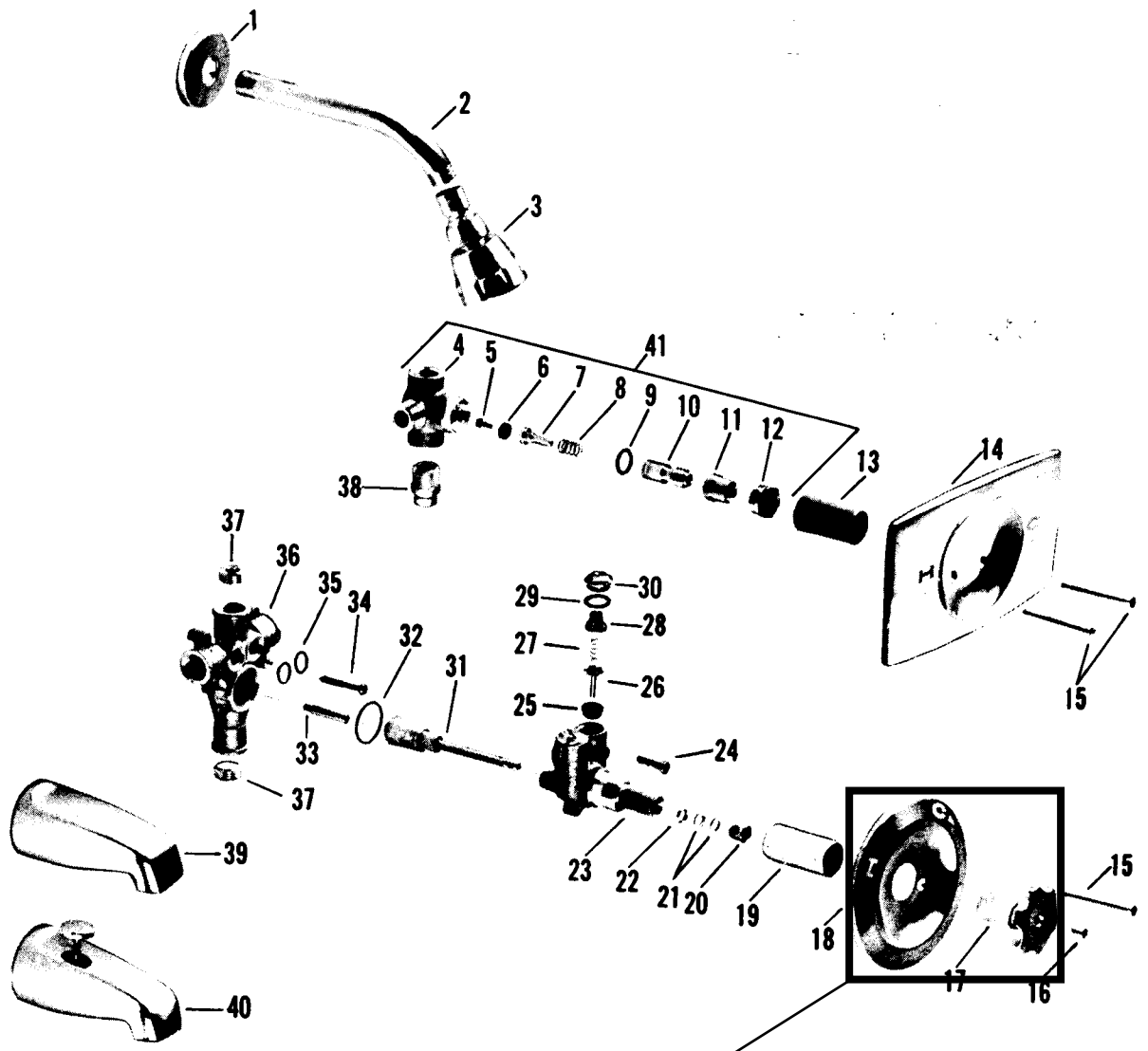
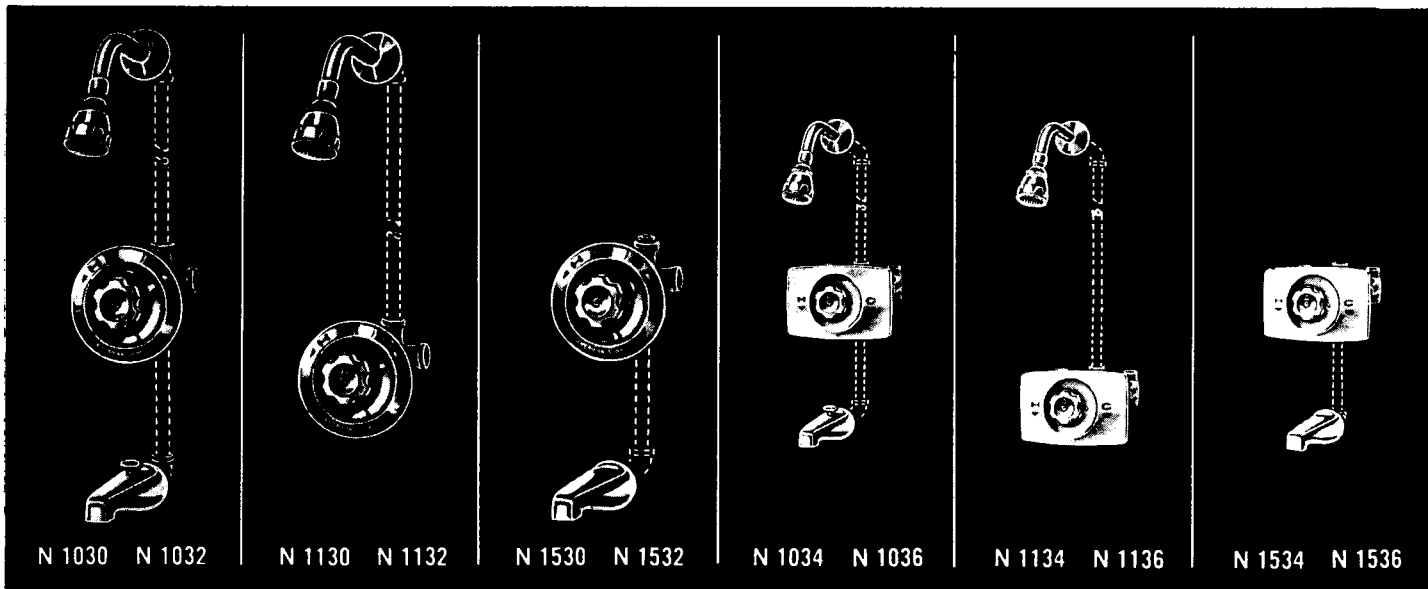
\*Refer to N 1301 on page 58 for Shower Head Parts

Repair Kit Consisting of (1) each parts 21 & 31 and (2) each parts 20, 24, 25, 26, 27, 28 & 29) - #3492-07

Repair Kit Consisting of (2) each parts 24 & 25 - #3491-07

# Bath and Shower Fittings

Push-Pull



# Bath and Shower Fittings

Push-Pull

no.	description	part no.	N 1030	N 1130	N 1530	N 1034	N 1134	N 1534
			N 1032	N 1132	N 1532	N 1036	N 1136	N 1536
1	Arm Flange	31252-02						
2	Shower Arm	298-12						
3	Shower Head S/A *	73535-02						
4	Check Stop Body	25550-08						
5	Seat Washer Screw	759-27						
6	Seat Washer	1059-27						
7	Lower Stem w/washer and screw	25302-08						
8	Spring	818-27						
9	"O" Ring	886-17						
10	Upper Stem	25318-07						
11	Stem Nut	854-17						
12	Lock Nut	855-17						
13	Guard Tube	1855-07						
14	Escutcheon w/gasket	29139-06						
15	Escutcheon Screw	29120-01						
16	Handle Screw	218-12						
17	Handle	29131-02						
18	Escutcheon w/gasket	29128-06						
19	Escutcheon Sleeve	29117-02						
20	Adjusting Nut	29105-07						
21	Packing	29104-07						
22	Adapter	29103-08						
23	Body	29102-08						
24	Body Screw	29118-07						
25	Seat	29305-08						
26	Stem	29108-07						
27	Spring	12179-07						
28	Screen	12269-07						
29	Gasket	12007-07						
30	Valve Plug	29109-07						
31	Cam and Shaft S/A	9401-07						
32	"O" Ring	29116-07						
33	Guide Post	29101-07						
34	Wall Screw	1370-17						
35	"O" Ring	29115-07						
36	Manifold	29100-08						
37	Plug	27816-07						
38	Copper Tube Adapter for N 1032, 1132, 1532 and N 1036, 1136, 1536	1491-27						
39	Spout	455-32						
40	Diverter Spout	380-12						
41	Check Stop S/A	5485-08						

Sub-assembly -

Body & Manifold S/A - (Parts 20 thru 33 & Parts 35 & 36) - #9402-08

\* Refer to N 1301 on page 58 for Shower Head parts.

Repair Kit consisting of ( 2) each of Parts 21-25-26-27-28-29 and 30  
and (1) each of Parts 22 and 32) - #3492-07