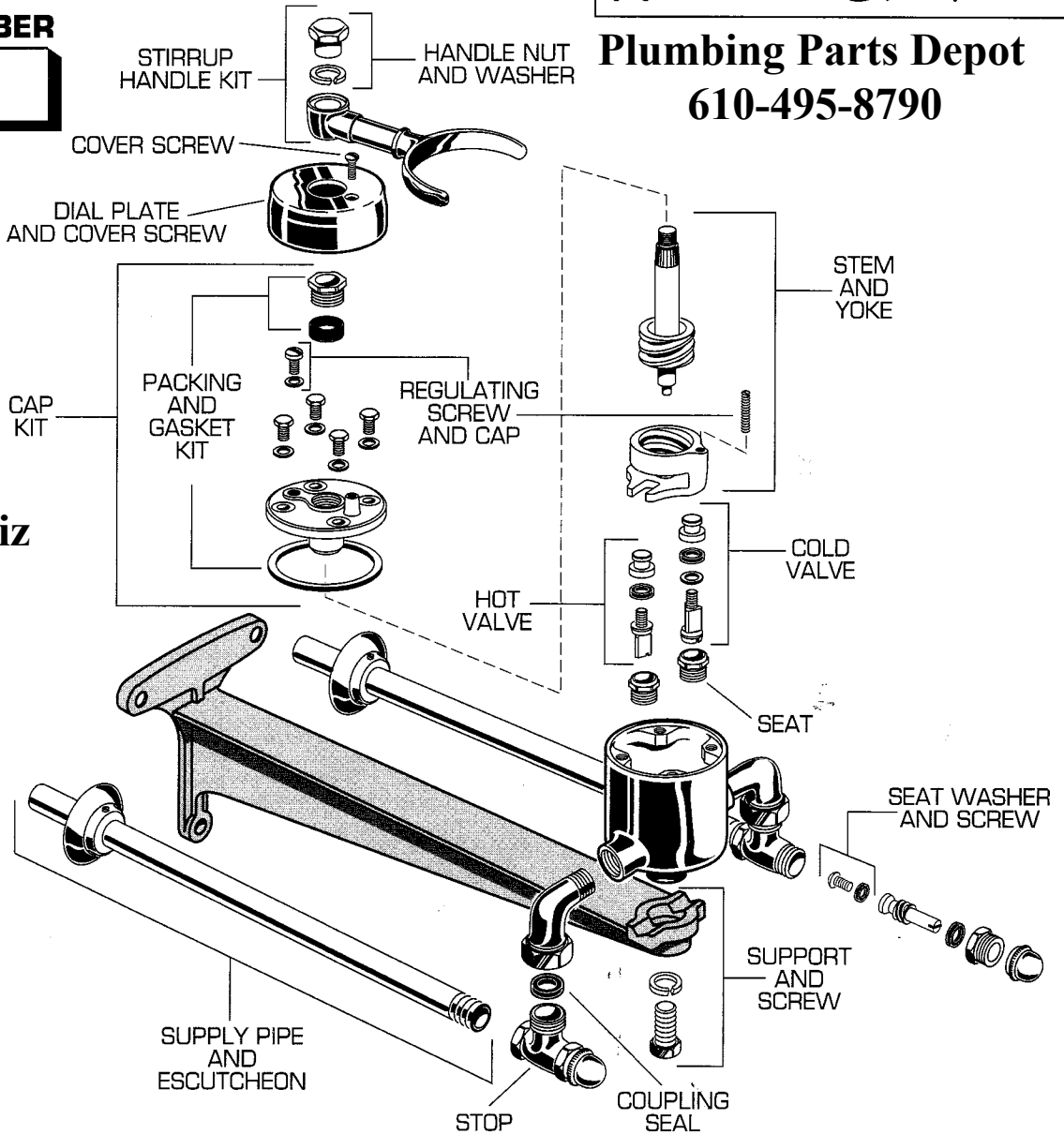


**KNEE ACTION
MIXING VALVE
MODEL NUMBER**

7676.029

American Standard

**Plumbing Parts Depot
610-495-8790**



www.ppd1.biz

DESCRIPTION	PART NUMBER	PKG QTY
Handle Nut and Washer	066456-0020A	1
Stirrup Handle Kit	066365-0020A	1
Dial Plate and Cover Screw	066366-0020A	1
Cover Screw	000690-0020A	1
Packing and Gasket Kit	066367-0070A	1
Cap Kit	066368-0070A	1
Regulating Screw and Cap	066455-0070A	1
Stem and Yoke	066361-0040A	1
Hot Valve	066362-0070A	1
Cold Valve	066363-0070A	1
Seat	065775-0070A	1
Stop	011407-0020A	1
Seat Washer and Screw	066325-0070A	1
Supply Pipe and Escutcheon	066369-0020A	1
Support and Screw	035338-0090A	1
Coupling Seal	001887-0070A	1