

American Standard

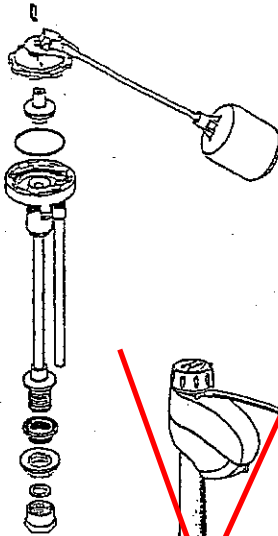
Plumbing Parts Depot

www.ppd1.biz

CADET ELONGATED & CADET ROUND-FRONT TOILET MODEL NUMBER

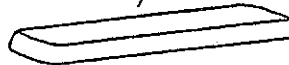
2108 SERIES ELONGATED 18" RIM HT.
 2109 SERIES ELONGATED
 2120 SERIES ROUND-FRONT 10" ROUGH
 2122 SERIES ROUND-FRONT 12" ROUGH
 2124 SERIES ROUND-FRONT 14" ROUGH

ORIGINAL EQUIPMENT WATER CONTROL



~~REPLACEMENT SMART VALVE 3198.000-B~~

TANK COVER



ORIGINAL EQUIPMENT TRIP LEVER

RIGHT HAND TRIP LEVER

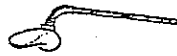
BOLT CAPS



ORIGINAL EQUIPMENT FLUSH VALVE



ORIGINAL EQUIPMENT FLAPPER ASSEMBLY



REPLACEMENT BRASS ARM TRIP LEVER
 LEFT HAND ONLY 8098.002 CHROME
 AVAILABLE IN THE 8098.020 WHITE
 FOLLOWING COLORS: 8098.099 POLISHED BRASS

★ Replace XXX with Fixture Color Code, YYY with Trim Finish

DESCRIPTION	▷ COMPONENT	PKG QTY
* Elongated Bowl, 18" Rim Ht. w/Bolt Caps	3088.010.XXX	1
* Elongated Bowl w/Bolt Caps	3089.018.XXX	1
* Round-Front Bowl w/Bolt Caps, 10" Rough	3080.017.XXX	1
* Round-Front Bowl w/Bolt Caps, 12" Rough	3082.013.XXX	1
* Round-Front Bowl w/Bolt Caps, 14" Rough	3084.019.XXX	1
* Tank Complete w/Coupling Components and Tank Trim	4083.024.XXX	1
* Tank Cover	735003.400.XXX	1
ORIGINAL EQUIPMENT REPAIR PARTS	PART NUMBER	PKG QTY
Water Control Assembly (with Float Ball)	047184-0070A	1
Flush Valve	047387-0070A	1
Trip Lever	047148-XXX0A	1
Trip Lever (Right Hand Side)	738170-XXX0A	1
* Bolt Cap Kit	034783-XXX0A	2
* Coupling Kit, Bowl-to-Tank	047188-0070A	1
* Flapper Assembly	047145-0070A	1

▷ FOR COMPONENT PART ORDERING SEE CURRENT PRODUCT SELECTOR AND PRICING GUIDE.

YORKVILLE TOILET MODEL NUMBER

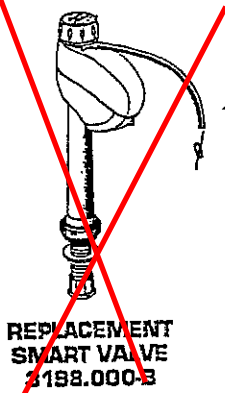
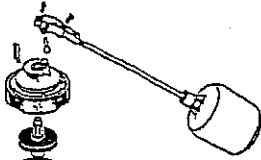
2128.115 SERIES ROUND FRONT
2130.151 SERIES ELONGATED
34.129 SERIES ELONGATED 18" RIM HT.

American Standard

Plumbing Parts Depot

www.ppd1.biz

ORIGINAL EQUIPMENT
WATER CONTROL



REPLACEMENT
SMART VALVE
2198.000.3

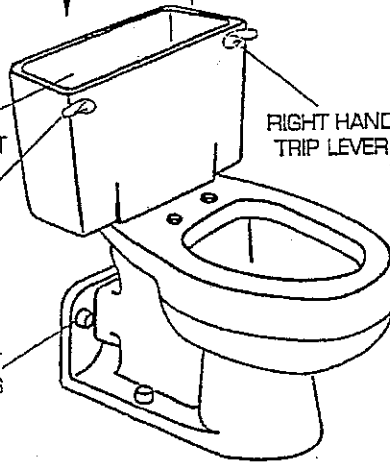
TANK
COVER



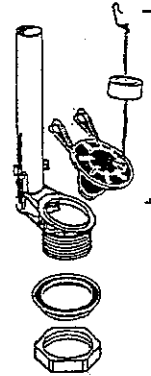
ORIGINAL
EQUIPMENT
TRIP LEVER

RIGHT HAND
TRIP LEVER

BOLT
CAPS



ORIGINAL EQUIPMENT
FLUSH VALVE



ORIGINAL
EQUIPMENT
FLAPPER
ASSEMBLY

REPLACEMENT BRASS ARM TRIP LEVER
LEFT HAND ONLY 8098.002 CHROME
AVAILABLE IN THE 8098.020 WHITE
FOLLOWING COLORS: 8098.099 POLISHED BRASS

★ Replace XXX with
Fixture Color Code,
YYY with Trim Finish

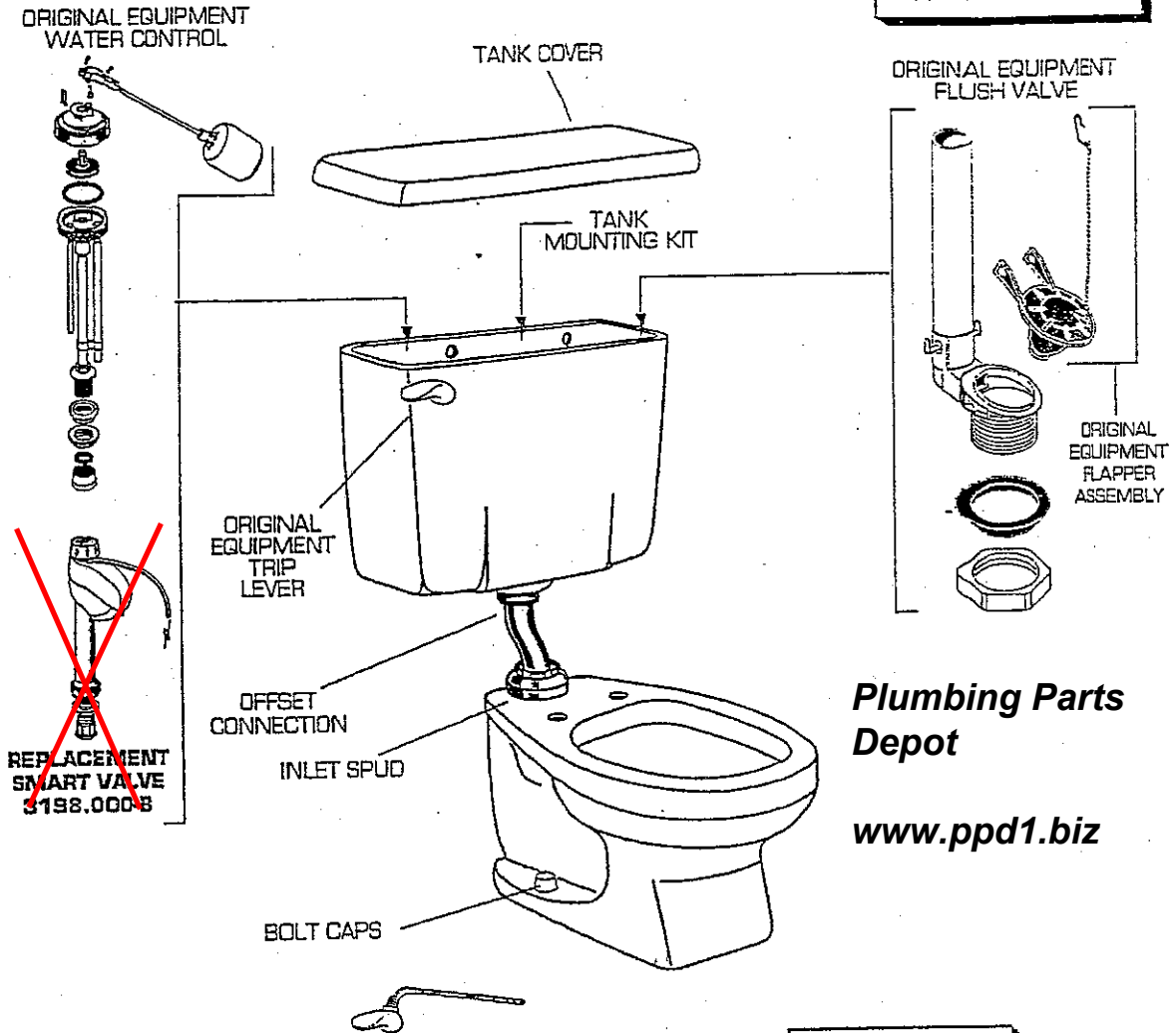
DESCRIPTION	▷ COMPONENT	PKG QTY
* Round Front Bowl w/Bolt Caps	3028.016.XXX	1
Elongated Bowl w/Bolt Caps	3030.012.XXX	1
Elongated Bowl, 18" Rim Height, w/Bolt Caps	3034.014.XXX	1
* Tank Complete w/Trim	4083.024.XXX	1
* Tank Cover	735003-400.XXX	1
ORIGINAL EQUIPMENT REPAIR PARTS	PART NUMBER	PKG QTY
* Trip Lever	047148-XXX0A	1
Right Hand Trip Lever	738170-XXX0A	1
Bolt Cap Kit	034792-XXX0A	4
* Water Control Assv (with Float Ball)	047184-0070A	1
* Flush Valve	047387-0070A	1
Coupling Kit, Bowl-to-Tank	047188-0070A	1
Flapper Assembly	047146-0070A	1

▷ FOR COMPONENT PART ORDERING SEE CURRENT PRODUCT SELECTOR
AND PRICING GUIDE.

American Standard

BABY DEVORO COMBINATION TOILET MODEL NUMBER

2162 SERIES



**Plumbing Parts
Depot**

www.ppd1.biz

REPLACEMENT BRASS ARM TRIP LEVER
LEFT HAND ONLY
AVAILABLE IN THE
FOLLOWING COLORS: 8098.002 CHROME
8098.020 WHITE
8098.099 POLISHED BRASS

★ Replace XXX with
Fixture Color Code,
YYY with Trim Finish

DESCRIPTION	COMPONENT	PKG QTY
★ Round Front Bowl, 10" Rim Height w/Bolt Caps	3162.039.020	1
★ Tank Complete w/Offset Connection and Tank Trim	4083.031.020	1
★ Tank Cover	735003.400.020	1
ORIGINAL EQUIPMENT REPAIR PARTS	PART NUMBER	PKG QTY
Water Control (with Float Ball)	047166-0070A	1
Flush Valve	047387-0070A	1
★ Trip Lever	047148-0020A	1
★ Bolt Cap Kit	034783-0200A	2
Tank-to-Wall Mounting Kit	034780-0070A	1
Offset Connection	047553-0020A	1
Inlet Spud	047010-0070A	1
Flapper Assembly	047146-0070A	1

▷ FOR COMPONENT PART ORDERING SEE CURRENT PRODUCT SELECTOR AND PRICING GUIDE.