

MODEL 4052 (LESS VENT-AWAY) COMPACT

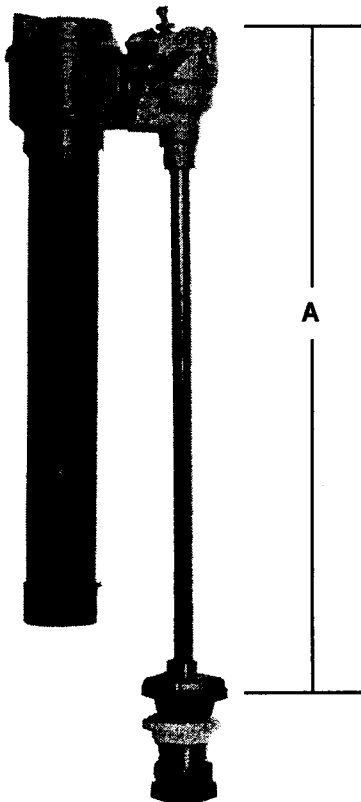
- 1. AS 3137-0980 - Ballcock
- 2. AS 47089-0700 - Flush Valve
- 3. AS 70437-0200 - Tank Lever

**FLUSH VALVE
47089-0700**

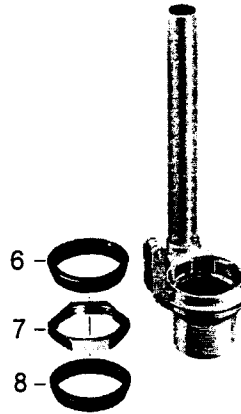
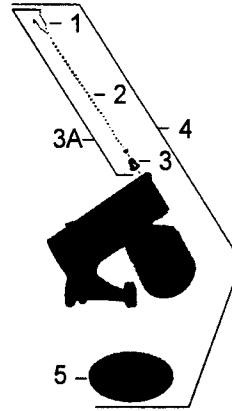
**AMERICAN STANDARD
GENUINE OBSOLETE BALLCOCKS**

PART NUMBER	A (SIZE)
3131-075	Approx. 11 Inches
3137-098	Approx. 11 ½ Inches
3137-155	Approx. 9 ¼ inches
3136-058	Approx. 13 ¾ Inches

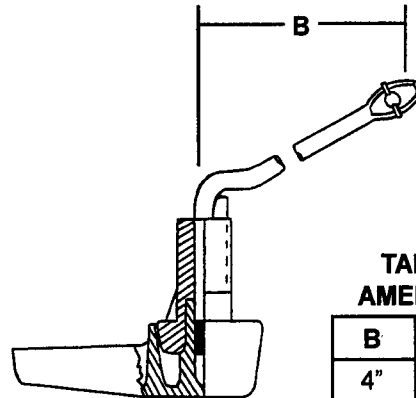
Above water controls include float rod and refill tube, 3/8" coupling nut inlet.



REPAIR PARTS FOR ABOVE NUMBERS	
12971-09	Kit: Includes Cap And Plunger, Seal, Nylon Seat
70422-07	Cap And Plunger Assembly
73070-07	Seal
73002-07	Nylon Seat
73019-09	Pivot Arm
73018-07	Pivot Pin
1601-07	Float Ball



NO.	DESCRIPTION	PART NO.
1	Lift Chain Retainer	73389-07
2	Lift Chain	73388-07
3	Grommet	73387-07
3A	Lift Chain S/A	8321-07
4	Actuating Unit	33642-07
5	Snap-on Seat Disc	33643-07
6	Washer	1039-07
7	Lock Nut	33332-07
8	Washer	34602-07



**TANK LEVERS FOR
AMERICAN STANDARD**

B	WITH BRASS ARM
4"	73392-02 REPLACED BY 70437-02 (PLASTIC ARM)

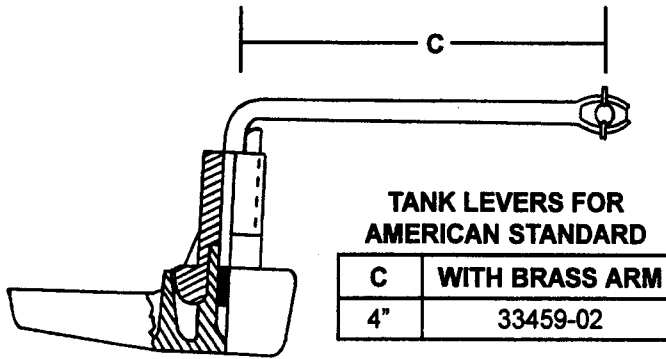
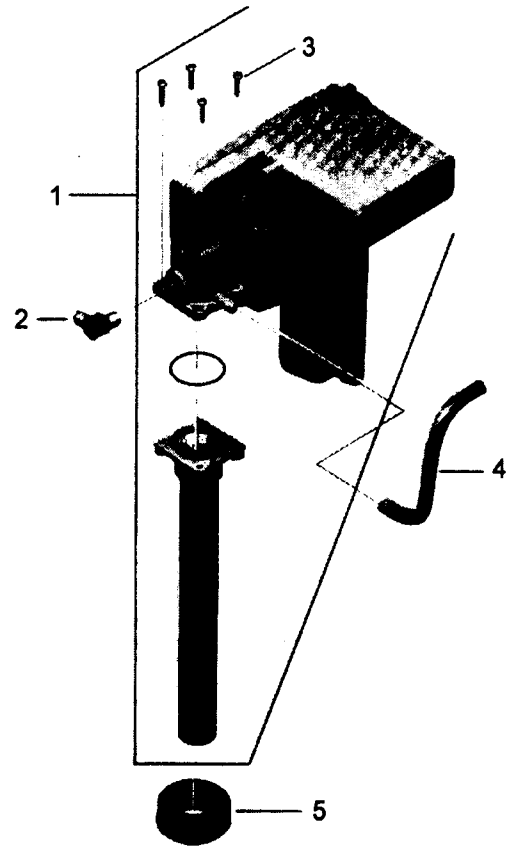
Plumbing Parts Depot

www.ppd1.biz

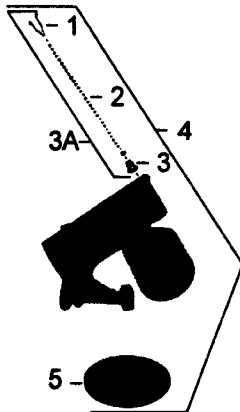
MODEL 4052 (WITH VENT-AWAY)

- 1. AS 3117-1810 - Ballcock
- 2. AS 33459-0200 - Tank Lever
- 3. AS 33488-0700 - Vent-Away
- 4. AS 33455-0700 - Gasket
- 5. AS 47089-0700 - Flush Valve

VENT-AWAY ASSEMBLY 33488-0700



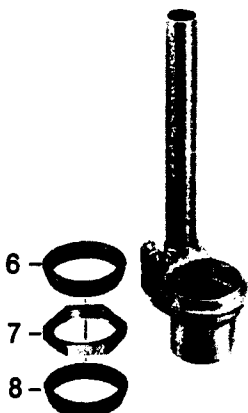
FLUSH VALVE 47089-0700



NO.	DESCRIPTION	PART NO.
1	Ventilator S/A	33488-07
2	Male Elbow	33252-07
3	Screws	33253-07
4	Vacuum Tube	33457-07
5	Gasket	33455-07

Plumbing Parts Depot

www.ppd1.biz

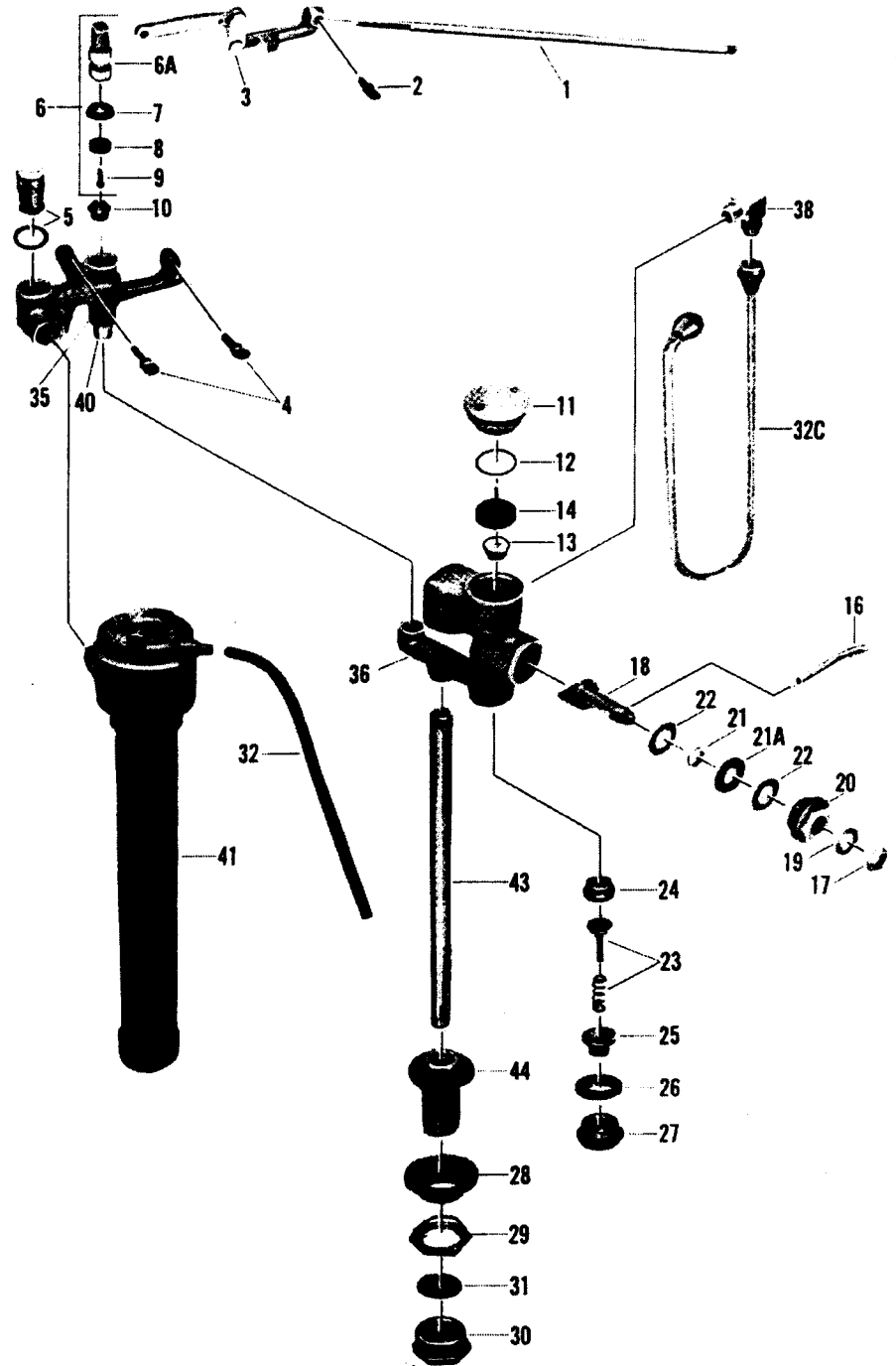


NO.	DESCRIPTION	PART NO.
1	Lift Chain Retainer	73389-07
2	Lift Chain	73388-07
3	Grommet	73387-07
3A	Lift Chain S/A	8321-07
4	Actuating Unit	33842-07
5	Snap-on Seat Disc	33843-07
6	Washer	1039-07
7	Lock Nut	33332-07
8	Washer	34802-07

MODEL 4052 (WITH VENT-AWAY) COMPACT

Compact 2053 V
3117.181
(N 3046 V-702)

NO	DESCRIPTION	PART NO.
1	Float Rod	82-2700
2	Float Rod Thumb Screw	558-0700
3	Lever S/A	10740-0700
4	Thumb Screws (2)	557-1700
5	Volume Regulator S/A	10765-0070A
6	Plunger S/A (Parts 6A, 7, 8, 9)	8339-0700
7	Plunger Washer	1853-0700
8	Stem Washer	233-1700
9	Screw	190-0700
10	Seat	1663-0700
11	Cap ** KIT ONLY **	3117-1810
12	Washer	866-2700
13	Seat	33542-0800
14	Float	25670-0700
16	Arm	33513-0700
17	Locknut	79-1700
18	Stem	33454-0700
19	Washer	113-1700
20	Packing Nut	33450-0700
21	Washer	64705-0700
21A	Packing Seal	64708-0700
22	Packing Washer (2)	64704-0700
23	Valve Stem S/A	12004-0700
24	Valve Seat	12002-0900
25	Screen	12269-0700
26	Gasket	12007-0700
27	Plug	12268-0700
28	Shank Washer	1028-0700
29	Shank Locknut ** KIT ONLY **	3117-1810
30	Coupling Nut	226-4700
31	Coupling Washer	125-0700
32	Refill Tube	72541-0070A
32C	Supply Tube S/A	33442-0700
35	Body ** KIT ONLY **	3117-1810
36	Body ** KIT ONLY **	3117-1810
38	Male Elbow	33252-0700
40	Nipple ** KIT ONLY **	3117-1810
41	Back Flow Preventer ** KIT ONLY **	3117-1810
43	Shank Extension	33186-0700
44	Shank	32994-0700



10551-0070A - Lever W/Screws #2-4

70620-0700 - Vacuum Breaker Kit #11-14

67653-0070A - Diverter Valve Kit #23-27

12981-0070A - Plastic Plunger Repair Kit #6-10. See note.

NOTE: This ballcock is currently supplied with a plastic plunger. If you want the Brass Plunger Kit #6-10 use Part Number 12981-0900.

Plumbing Parts Depot

www.ppd1.biz