

MODEL 2010 - CARLYLE

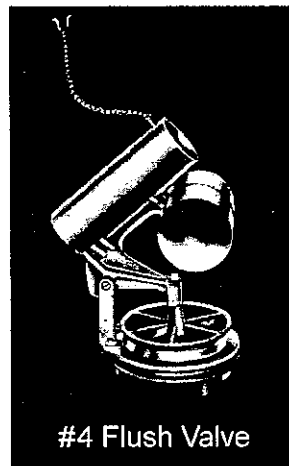
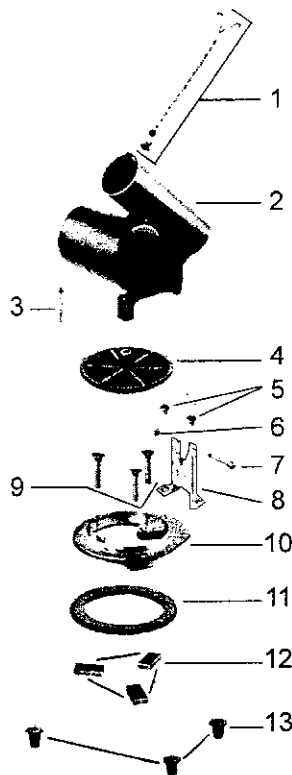
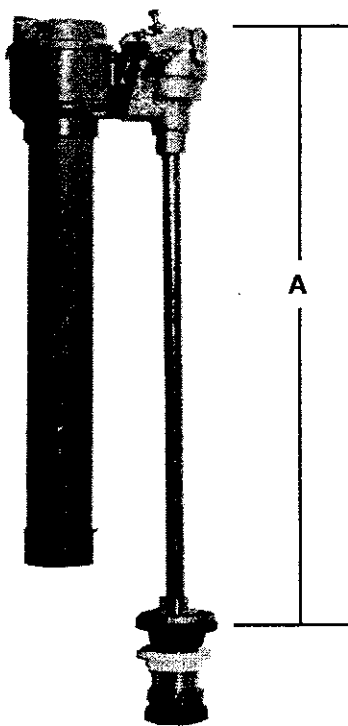
1. AS 3137-1550- BC
2. AS 47086-0700 - Flush Valve
3. AS 73439-0200 - Tank Lever

FLUSH VALVE 47086-0700

AMERICAN STANDARD GENUINE OBSOLETE BALLCOCKS

PART NUMBER	A (SIZE)
3131-075	Approx. 11 Inches
3137-098	Approx. 11 1/2 Inches
3137-155	Approx. 9 1/4 inches
3136-058	Approx. 13 1/4 Inches

Above water controls include float rod and refill tube, 3/8" coupling nut inlet.



NO.	DESCRIPTION	PART NO.
1	Lift Chain S/A	8321-07
2	Actuating Unit*	721-27
3	Screw for Disc	73382-07
4	Seat Disc	73383-07
5	Support Leg Screw	737-27
6	Nut	732-37
7	Screw	731-37
8	Support Leg	722-27
9	F.H. Screw	729-27
10	Seat	35199-07
11	Seal	715-27
12	Fastening Lug	727-27
13	Bolt Hole Seal	726-27

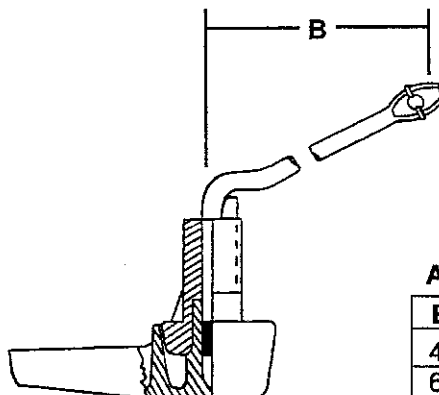
Sub-assembly
*Float S/A - (Parts 1 thru 8) - #8162-07

All parts in flush valve kit

REPAIR PARTS FOR ABOVE NUMBERS

12971-09	Kit: Includes Cap And Plunger, Seal, Nylon Seat
70422-07	Cap And Plunger Assembly
73070-07	Seal
73002-07	Nylon Seat
73019-09	Pivot Arm
73018-07	Pivot Pin
1601-07	Float Ball

ORIGINAL EQUIPMENT TANK LEVERS METAL HANDLE, CHROME PLATED, WITH BRASS ARM



TANK LEVERS FOR AMERICAN STANDARD

B	WITH BRASS ARM
4"	73392-02 REPLACED BY 70437-02 (PLASTIC ARM)
6"	73439-02

Plumbing Parts Depot

www.ppd1.biz