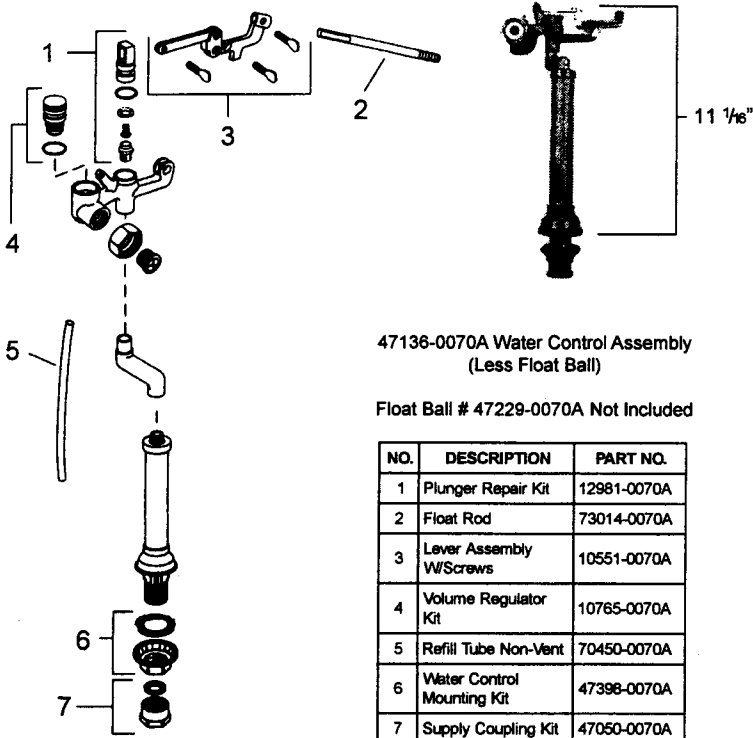


MODEL 2003 (LUXOR LESS VENT)

- 1. AS 47136-0070A - Water Control Assembly
- 2. AS 738051-0070A - Backflow Preventer
- 3. AS 47049-0700 - Flush Valve
- 4. AS 33611-0020A - Actuator Button
- 5. AS 33409-0070A - Paddle Lever Only

47136-0070A



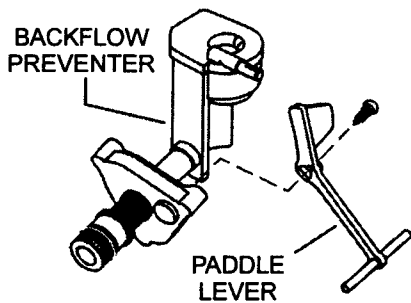
47136-0070A Water Control Assembly
(Less Float Ball)

Float Ball # 47229-0070A Not Included

NO.	DESCRIPTION	PART NO.
1	Plunger Repair Kit	12981-0070A
2	Float Rod	73014-0070A
3	Lever Assembly W/Screws	10551-0070A
4	Volume Regulator Kit	10765-0070A
5	Refill Tube Non-Vent	70450-0070A
6	Water Control Mounting Kit	47398-0070A
7	Supply Coupling Kit	47050-0070A

738051-0070A

BACKFLOW PREVENTER ASSEMBLY

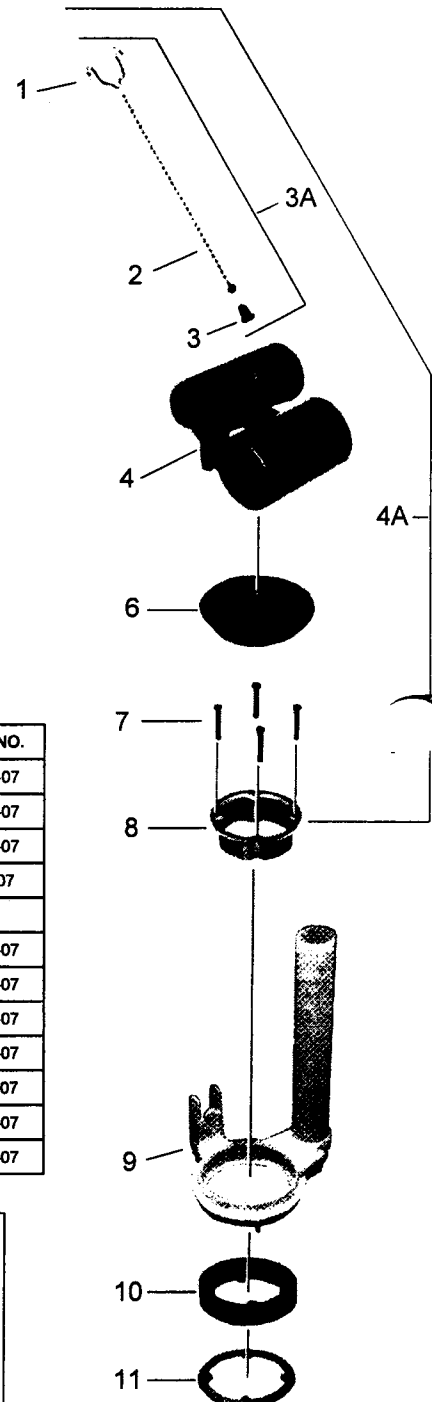


47049-0700



NO.	DESCRIPTION	PART NO.
1	Chain Retainer	73389-07
2	Chain	73388-07
3	Grommet	73387-07
3A	Lift Chain S/A	8321-07
4	Actuating Unit	4A
4A	Actuating Unit S/A	73380-07
6	Seat Disc	33643-07
7	Screws	33333-07
8	Retainer	33466-07
9	Body S/A	47049-07
10	Seal	33410-07
11	Compression Plate	33412-07

33611-0020A



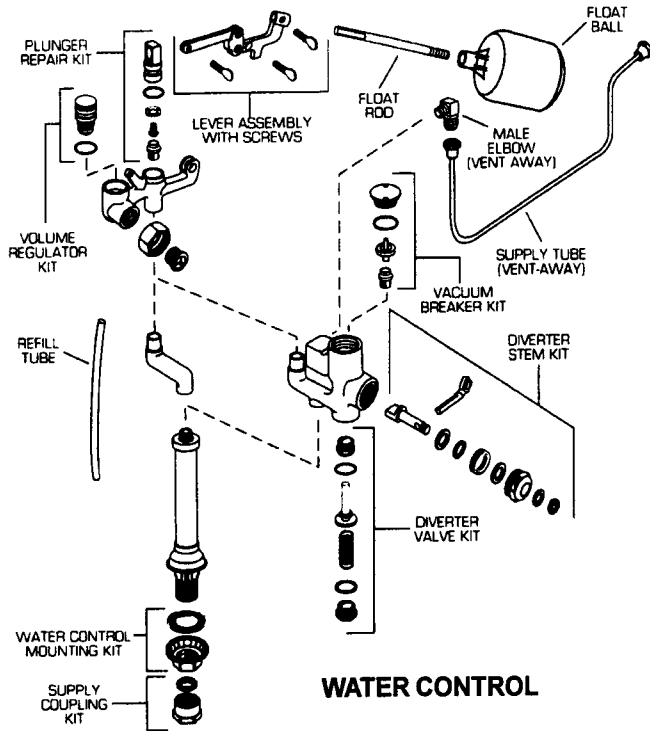
Plumbing Parts Depot

MODEL 2003

(LUXOR WITH VENT)

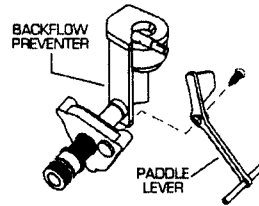
- | | | |
|--------------------|---|-------------------------|
| 1. AS 47135-0070A | - | Water Control With Vent |
| 2. AS 738051-0070A | - | Backflow Preventer |
| 3. AS 738049-0070A | - | Vent-Away Assembly |
| 4. AS 47049-0700 | - | Flush Valve |
| 5. AS 33628-0020A | - | Actuator Button |
| 6. AS 33409-0070A | - | Paddle Lever Only |

47135-0070A



WATER CONTROL

738051-0070A



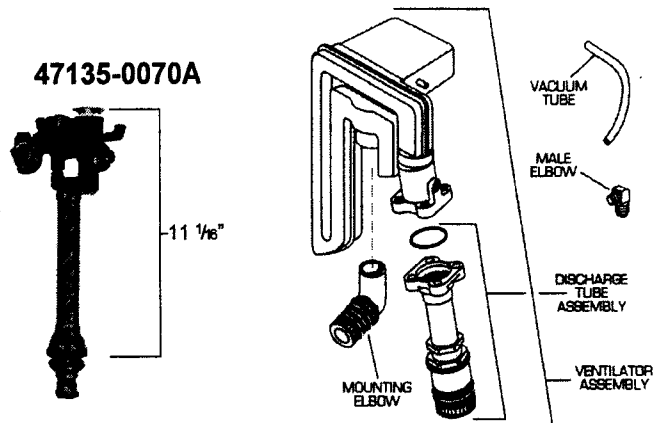
BACKFLOW PREVENTER ASSEMBLY

33628-0020A



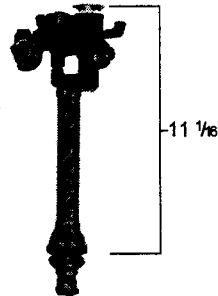
LUXOR (VENTILATED)

738049-0070A



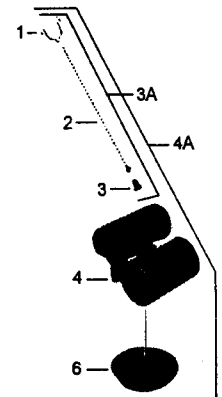
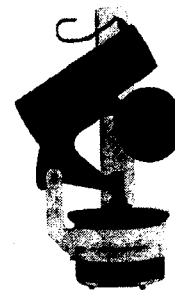
VENT-AWAY TRIM ASSEMBLY

47135-0070A



REPAIR PARTS	DESCRIPTION	PART NUMBER	
Water Control Assembly (less Float Ball)	Plunger Repair Kit	12981-0070A	
	Float Ball	47229-0070A	
	Float Rod	73014-0070A	
	Lever Assembly with Screws	10551-0070A	
	Water Control Mounting Kit	47298-0070A	
	Supply Coupling Kit	47050-0070A	
	With Vent-Away 47135-0070A	Refill Tube, non-Vent	70450-0070A
		Vacuum Breaker Kit	67651-0070A
		Diverter Stem Kit	67652-0070A
		Diverter Valve Kit	67653-0070A
		Volume Regulator Kit	10765-0070A
		Supply Tube	33626-0070A
		Refill Tube	72541-0070A
		Male Elbow	33252-0070A
Backflow Preventer Assembly (Includes Paddle Lever)	With Vent-Away	738051-0070A	
Vent-Away Trim Assembly	Ventilator Assembly (includes Discharge Tube Assembly and Mounting Elbow)	738049-0070A	
	Male Elbow	33252-0070A	
	Discharge Tube Assembly	47054-0070A	
	Vacuum Tube	33457-0070A	
	Actuator Button	33628-0020A	
	Flush Valve	47049-0700	

47049-0700



NO.	DESCRIPTION	PART NO.
1	Chain Retainer	73389-07
2	Chain	73388-07
3	Grommet	73387-07
3A	Lift Chain S/A	8321-07
4	Actuating Unit	** KIT ONLY **
4A	Actuating Unit S/A	73380-07
6	Seat Disc	33643-07
7	Screws	33333-07
8	Retainer	33466-07
9	Body S/A	** KIT ONLY **
10	Seal	33410-07
11	Compression Plate	33412-07

FLUSH VALVE